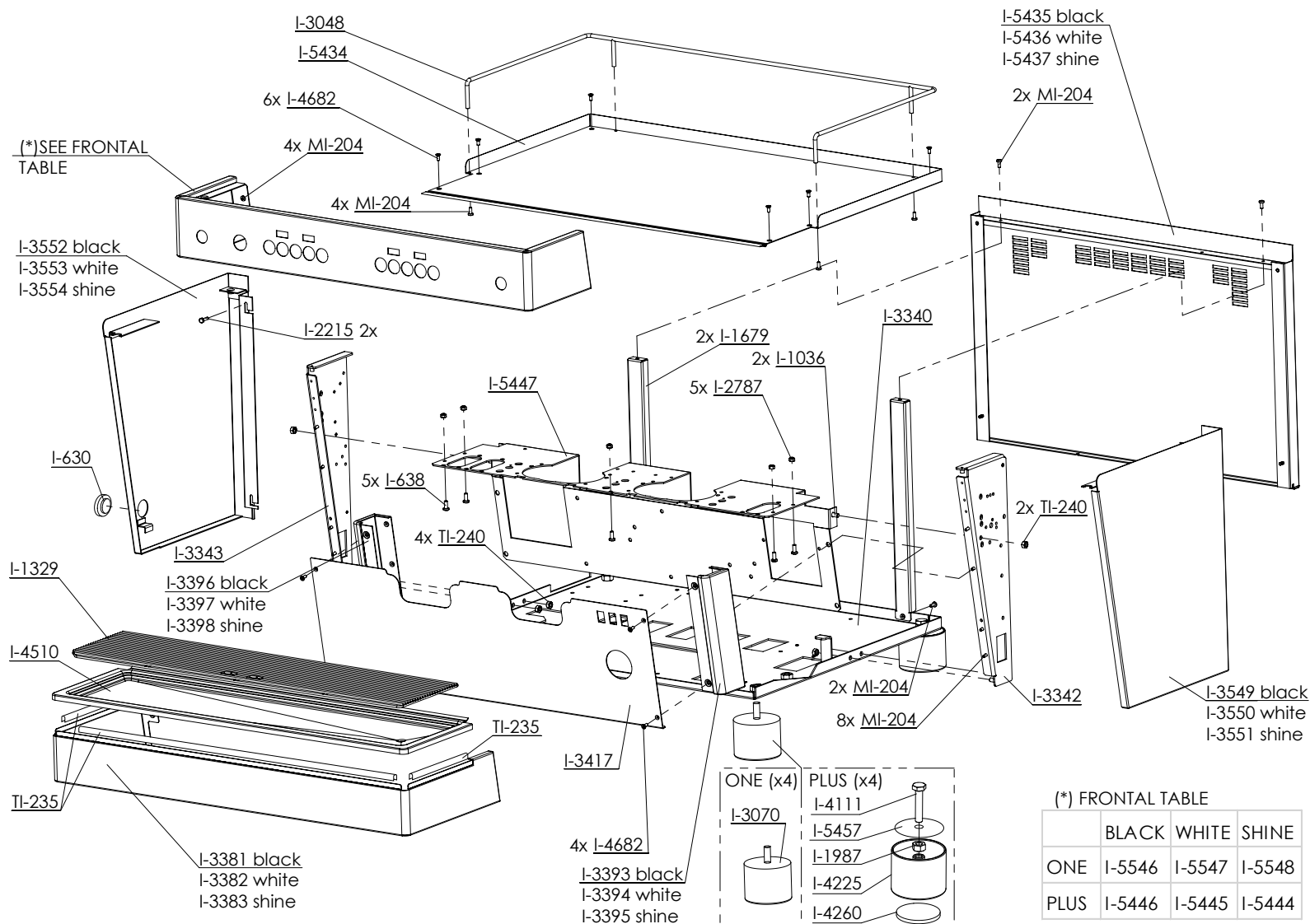
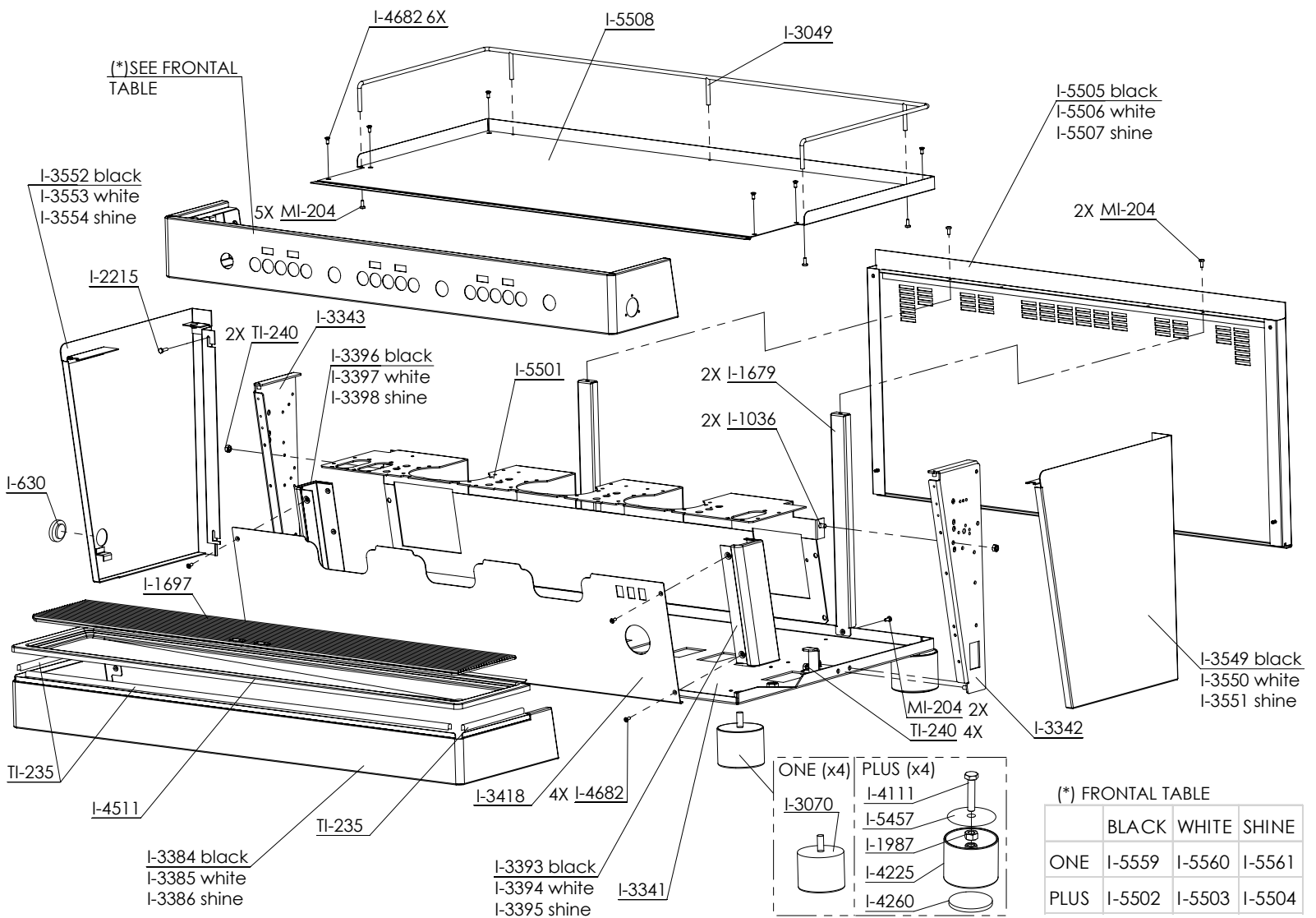




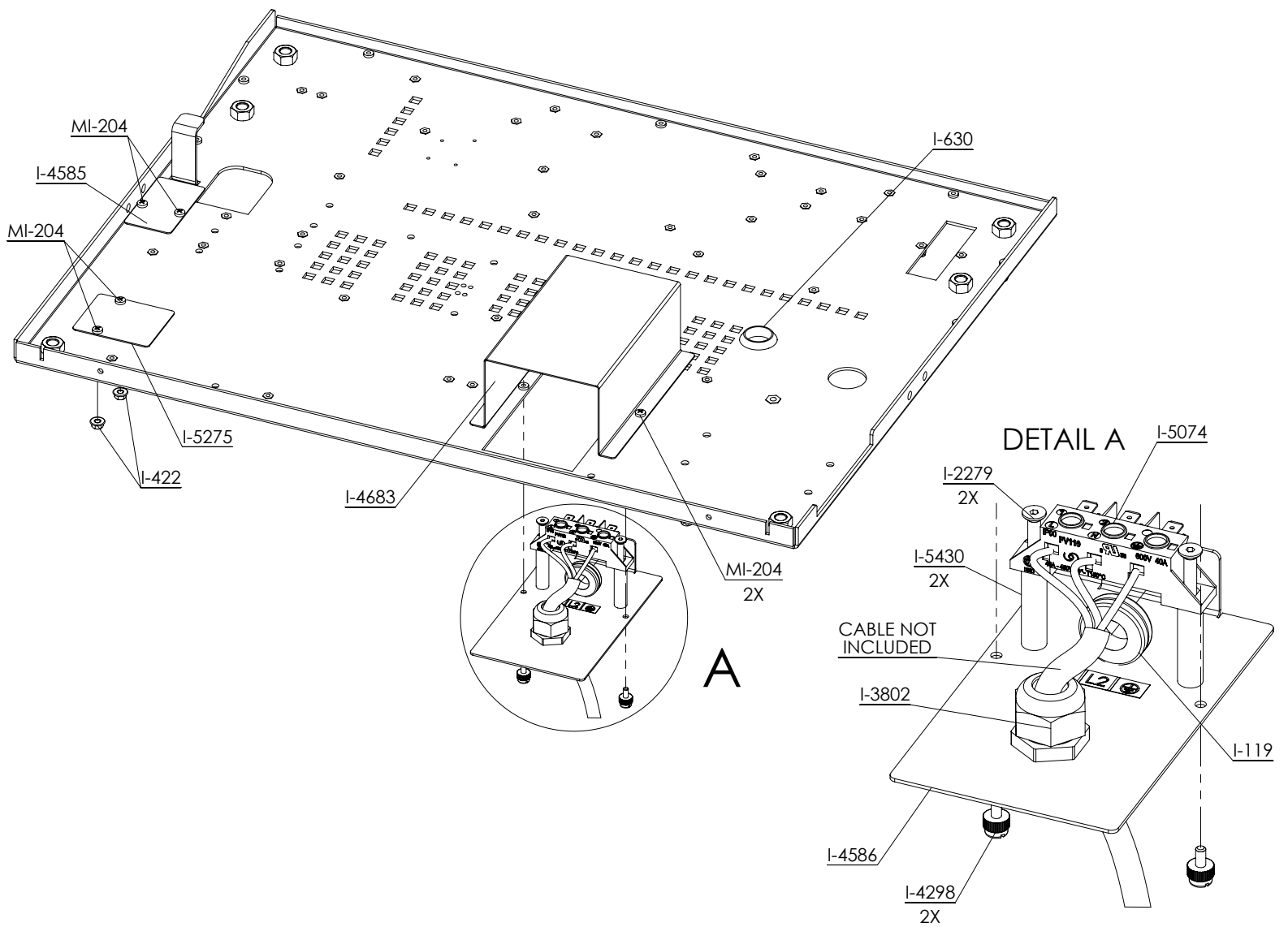
Barista T ETL 2022



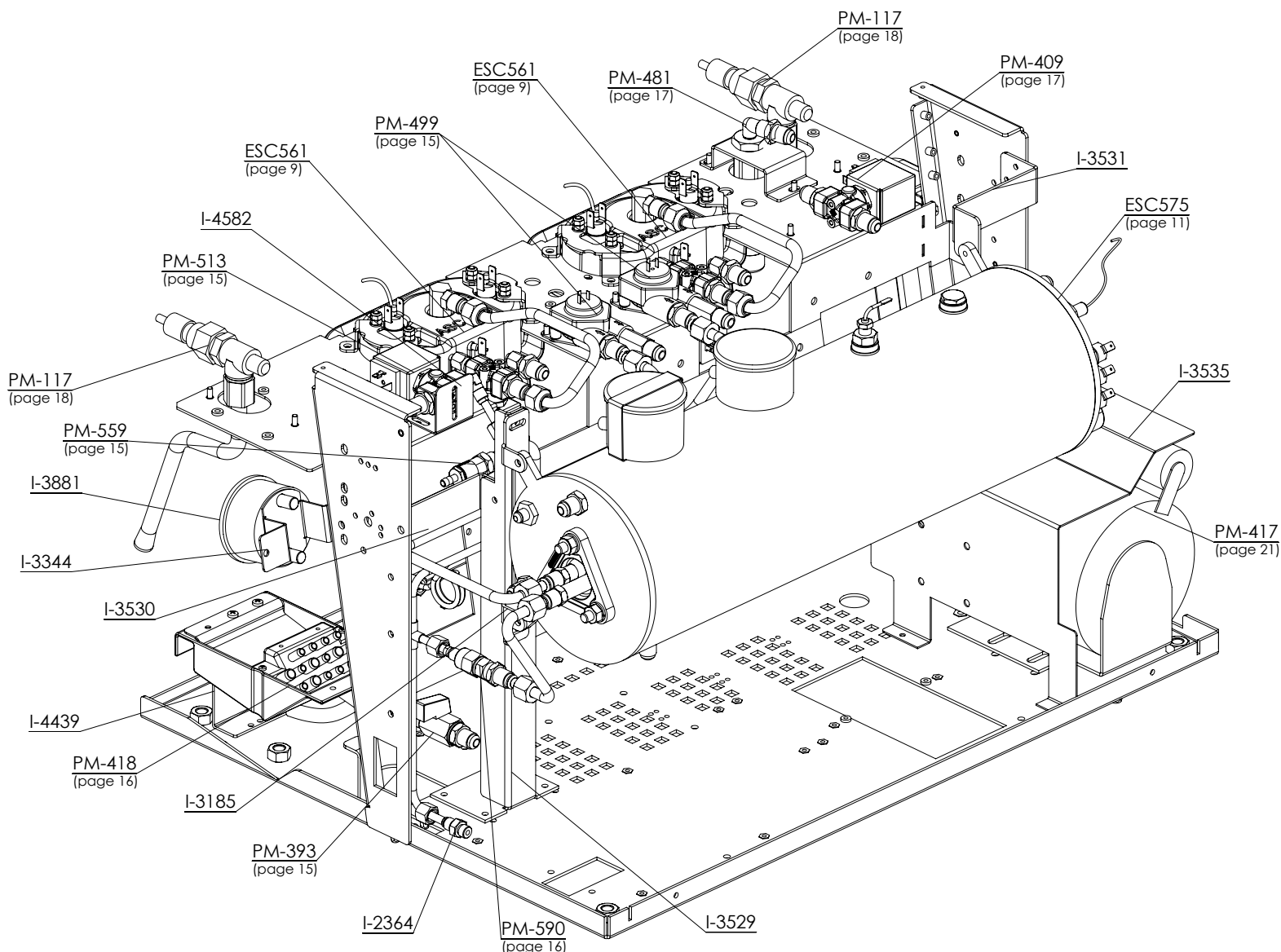
REF.	DESCRIPCIÓN	DESCRIPTION
I..630	TAPON PLASTICO DIAM.28	PLASTIC CAP 28MM
I..638	TORNILLO M5X12 INOX	SCREW M5X12 INOX
I.1036	TORNILLO M6X12 INOX	SCREW M6X12 INOX
I.1329	REJILLA BAR 2 GR	GRILL BAR 2 GR
I.1679	COLUMNA BASE	COLUMN BASE
I.1987	TUERCA SUJ. CAZOLETA M10 INOX	NUT M10 INOX
I.2215	TORNILLO DIN933 M4X15	SCREW DIN933 M4X15
I.2787	TUERCA AUTOBLOCANTE DIN 985 A2 M5 INOX	NUT DIN 985 M5
I.3048	BARANDILLA BAR 3 GR / BARISTA 2 GR	RAILING BAR 3 GR / BARISTA 2 GR
I.3070	PIE INOX D60	INOX FOOT D60
I.3340	BASE BARISTA T 2GR	BASE BARISTA T 2GR
I.3342	MONTANTE DERECHO BARISTA T	RIGHT SUPPORT BARISTA T
I.3343	MONTANTE IZQUIERDO BARISTA T	LEFT SUPPORT BARISTA T
I.3381	MARCO BASE BARISTA T 2GR NEGRA	BASE FRAME BARISTA T 2GR BLACK
I.3382	MARCO BASE BARISTA T 2GR BLANCA	BASE FRAME BARISTA T 2GR WHITE
I.3383	MARCO BASE BARISTA T 2GR BRILLO	BASE FRAME BARISTA T 2GR SHINE
I.3393	EMBELLECEDOR DERECHO BARISTA T NEGRA	RIGHT TRIM BARISTA T BLACK
I.3394	EMBELLECEDOR DERECHO BARISTA T BLANCA	RIGHT TRIM BARISTA T WHITE
I.3395	EMBELLECEDOR DERECHO BARISTA T BRILLO	RIGHT TRIM BARISTA T SHINE
I.3396	EMBELLECEDOR IZQUIERDO BARISTA T NEGRA	LEFT TRIM BARISTA T BLACK
I.3397	EMBELLECEDOR IZQUIERDO BARISTA T BLANCA	LEFT TRIM BARISTA T WHITE
I.3398	EMBELLECEDOR IZQUIERDO BARISTA T BRILLO	LEFT TRIM BARISTA T SHINE
I.3417	FRONTAL INTERMEDIO BARISTA T 2GR	INTERMEDIATE FRONT BARISTA T 2GR
I.3549	TAPA LATERAL DERECHA BARISTA T NEGRE	RIGHT SIDE COVERCLE BARISTA T BLACK
I.3550	TAPA LATERAL DERECHA BARISTA T BLANCA	RIGHT SIDE LID BARISTA T WHITE
I.3551	TAPA LATERAL DERECHA BARISTA T BRILLO	RIGHT SIDE LID BARISTA T SHINE
I.3552	TAPA LATERAL IZQUIERDA BARISTA T NEGRA	LEFT SIDE COVERCLE BARISTA T BLACK
I.3553	TAPA LATERAL IZQUIERDA BARISTA T BLANCA	LEFT SIDE LID BARISTA T WHITE
I.3554	TAPA LATERAL IZQUIERDA BARISTA T BRILLO	LEFT SIDE LID BARISTA T SHINE
I.4111	TORNILLO DIN 933 M10x40 INOX.	SCREW DIN 933 M10x40 INOX.
I.4225	PATA BIG DREAM 75x60	LEG BIG DREAM 75x60
I.4260	BASE GOMA PATA ALUMINIO	ALUMINIUM FEET RUBBER BASE
I.4510	BANDEJA BARISTA INOX 2GR PULIDA	DRAIN TRAY BARISTA INOX 2GR POLISHED
I.4682	TORNILLO M4X12 DIN 921 INOX A2	SCREW M4X12 DIN 921 INOX A2
I.5434	TAPA SUPERIOR CIEGA BARISTA T 2GR	BLIND UPPER COVER BARISTA T 2GR
I.5435	TAPA TRASERA CON VENTILACION BARISTA T 2GR NEGRA	BLACK BARISTA T 2 GR REAR LID
I.5436	TAPA TRASERA CON VENTILACION BARISTA T 2GR BLANCA	WHITE BARISTA T 2 GR REAR LID
I.5437	TAPA TRASERA CON VENTILACION BARISTA T 2GR BRILLO	SHINE BARISTA T 2GR REAR LID
I.5444	CARATULA BARISTA T PLUS 2GR BRILLO 2022	BARISTA T PLUS 2GR SHINE FRONTAL 2022
I.5445	CARATULA BARISTA T PLUS 2GR BLANCA 2022	BARISTA T PLUS 2GR WHITE FRONTAL 2022
I.5446	CARATULA BARISTA T PLUS 2GR NEGRA 2022	BARISTA T PLUS 2GR BLACK FRONTAL 2022
I.5447	BASE MECANISMOS BARISTA T 2GR 2022	BARISTA T BASE MECHANISMS 2GR 2022
I.5457	TAPA PIES BARISTA T	BARISTA T FOOT COVER
I.5546	CARATULA BARISTA T ONE 2GR NEGRA 2022	BARISTA T ONE 2GR BLACK FRONTAL 2022
I.5547	CARATULA BARISTA T ONE 2GR BLANCA 2022	BARISTA T ONE 2GR WHITE FRONTAL 2022
I.5548	CARATULA BARISTA T ONE 2GR BRILLO 2022	BARISTA T ONE 2GR SHINE FRONTAL 2022
MI.204	TORNILLO DIN 7985 M4X10	SCREW DIN 7985 M4X10
TI.235	PERFIL PROTECTOR BANDEJA BAR/BARISTA	GASKET
TI.240	TUERCA M6 INOX A.4	M6 NUT



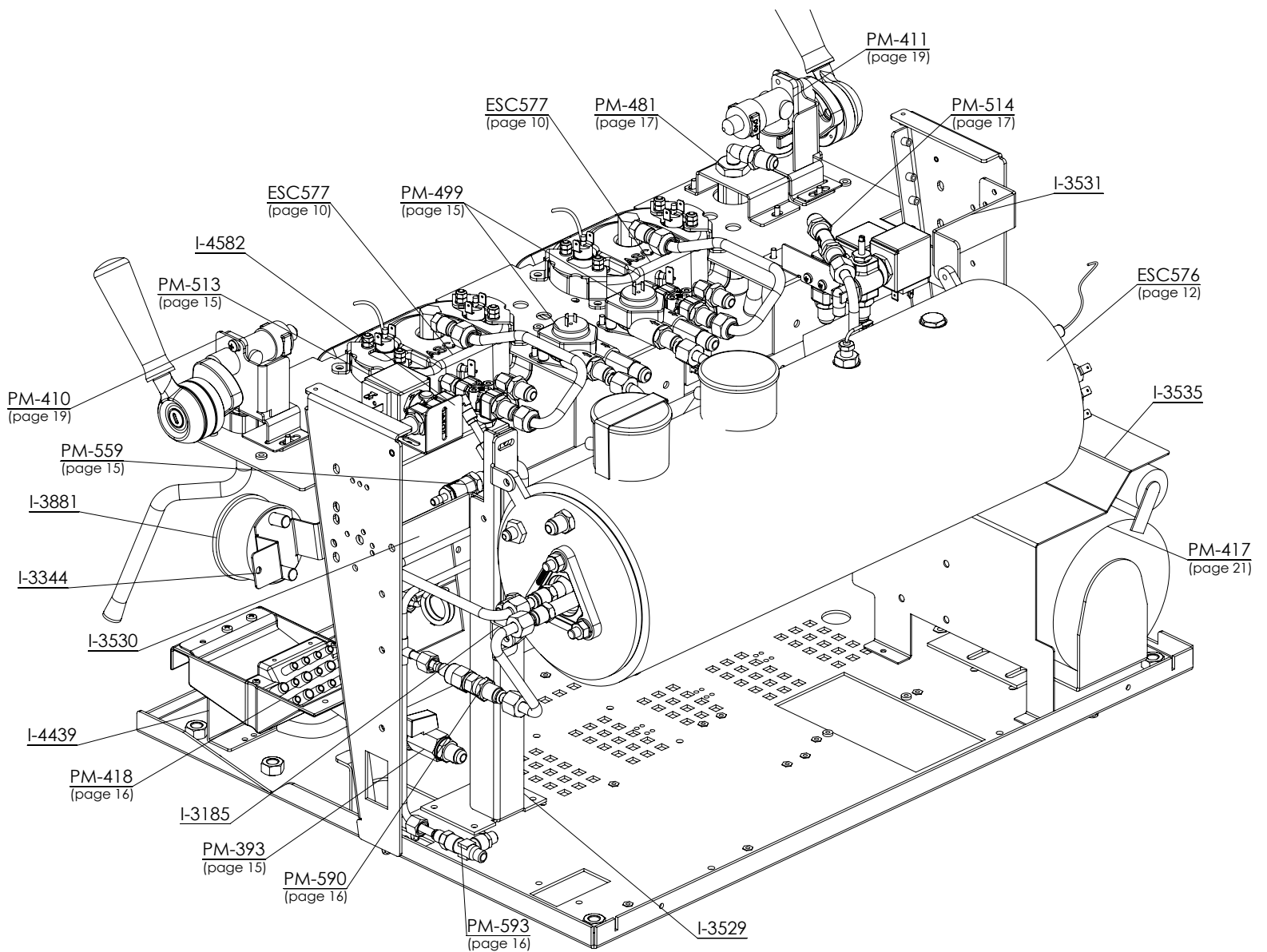
REF.	DESCRIPCIÓN	DESCRIPTION
I..630	TAPON PLASTICO DIAM.28	PLASTIC CAP 28MM
I.1036	TORNILLO M6X12 INOX	SCREW M6X12 INOX
I.1679	COLUMNA BASE	COLUMN BASE
I.1697	REJILLA BARISTA 3GR	MESH STRAINER BARISTA 3GR
I.1987	TUERCA SUJ. CAZOLETA M10 INOX	NUT M10 INOX
I.2215	TORNILLO DIN933 M4X15	SCREW DIN933 M4X15
I.3049	BARANDILLA BARISTA 3GR	RAILING BARISTA 3GR
I.3070	PIE INOX D60	INOX FOOT D60
I.3341	BASE BARISTA T 3GR	BASE BARISTA T 3GR
I.3342	MONTANTE DERECHO BARISTA T	RIGHT SUPPORT BARISTA T
I.3343	MONTANTE IZQUIERDO BARISTA T	LEFT SUPPORT BARISTA T
I.3384	MARCO BASE BARISTA T 3GR NEGRE	BASE FRAME BARISTA T 3GR BLACK
I.3385	MARCO BASE BARISTA T 3GR BLANCA	BASE FRAME BARISTA T 3GR WHITE
I.3386	MARCO BASE BARISTA T 3GR BRILLO	BASE FRAME BARISTA T 3GR SHINE
I.3393	EMBELLECEDOR DERECHO BARISTA T NEGRE	RIGHT TRIM BARISTA T BLACK
I.3394	EMBELLECEDOR DERECHO BARISTA T BLANCA	RIGHT TRIM BARISTA T WHITE
I.3395	EMBELLECEDOR DERECHO BARISTA T BRILLO	RIGHT TRIM BARISTA T SHINE
I.3396	EMBELLECEDOR IZQUIERDO BARISTA T NEGRA	LEFT TRIM BARISTA T BLACK
I.3397	EMBELLECEDOR IZQUIERDO BARISTA T BLANCA	LEFT TRIM BARISTA T WHITE
I.3398	EMBELLECEDOR IZQUIERDO BARISTA T BRILLO	LEFT TRIM BARISTA T SHINE
I.3418	FRONTAL INTERMEDIO BARISTA T 3GR	INTERMEDIATE FRONTAL BARISTA T 3GR
I.3549	TAPA LATERAL DERECHA BARISTA T NEGRA	RIGHT SIDE COVERCLE BARISTA T BLACK
I.3550	TAPA LATERAL DERECHA BARISTA T BLANCA	RIGHT SIDE LID BARISTA T WHITE
I.3551	TAPA LATERAL DERECHA BARISTA T BRILLO	RIGHT SIDE LID BARISTA T SHINE
I.3552	TAPA LATERAL IZQUIERDA BARISTA T NEGRA	LEFT SIDE COVERCLE BARISTA T BLACK
I.3553	TAPA LATERAL IZQUIERDA BARISTA T BLANCA	LEFT SIDE LID BARISTA T WHITE
I.3554	TAPA LATERAL IZQUIERDA BARISTA T BRILLO	LEFT SIDE LID BARISTA T SHINE
I.4111	TORNILLO DIN 933 M10x40 INOX.	SCREW DIN 933 M10x40 INOX.
I.4225	PATA BIG DREAM 75x60	LEG BIG DREAM 75x60
I.4260	BASE GOMA PATA ALUMINIO	ALUMINIUM FEET RUBBER BASE
I.4511	BANDEJA BARISTA 3GR INOX PULIDA	DRAIN TRAY BARISTA INOX 3GR POLISHED
I.4682	TORNILLO M4X12 DIN 921 INOX A2	SCREW M4X12 DIN 921 INOX A2
I.5457	TAPA PIES BARISTA T	BARISTA T FOOT COVER
I.5501	BASE MECANISMOS BARISTA T 3GR 2022	MECHANISM BASE BARISTA T 3GR 2022
I.5502	CARATULA BARISTA T PLUS 3GR NEGRA 2022	BARISTA T PLUS 3GR BLACK FRONTAL 2022
I.5503	CARATULA BARISTA T PLUS 3GR BLANCA 2022	BARISTA T PLUS 3GR WHITE FRONTAL 2022
I.5504	CARATULA BARISTA T PLUS 3GR BRILLO 2022	BARISTA T PLUS 3GR SHINE FRONTAL 2022
I.5505	TAPA TRASERA CON VENTILACION BARISTA T 3GR NEGRA	BLACK BARISTA T 3GR REAR LID
I.5506	TAPA TRASERA CON VENTILACION BARISTA T 3GR BLANCA	WHITE BARISTA T 3GR REAR LID
I.5507	TAPA TRASERA CON VENTILACION BARISTA T 3GR BRILLO	SHINE BARISTA T 3GR REAR LID
I.5508	TAPA SUPERIOR CIEGA BARISTA T 3GR	BLIND UPPER COVER BARISTA T 3GR
I.5559	CARATULA BARISTA T ONE 3GR NEGRA 2022	BARISTA T ONE 3GR BLACK FRONTAL 2022
I.5560	CARATULA BARISTA T ONE 3GR BLANCA 2022	BARISTA T ONE 3GR WHITE FRONTAL 2022
I.5561	CARATULA BARISTA T ONE 3GR BRILLO 2022	BARISTA T ONE 3GR SHINE FRONTAL 2022
MI.204	TORNILLO DIN 7985 M4X10	SCREW DIN 7985 M4X10
TI.235	PERFIL PROTECTOR BANDEJA BAR/BARISTA	GASKET
TI.240	TUERCA M6 INOX A.4	M6 NUT



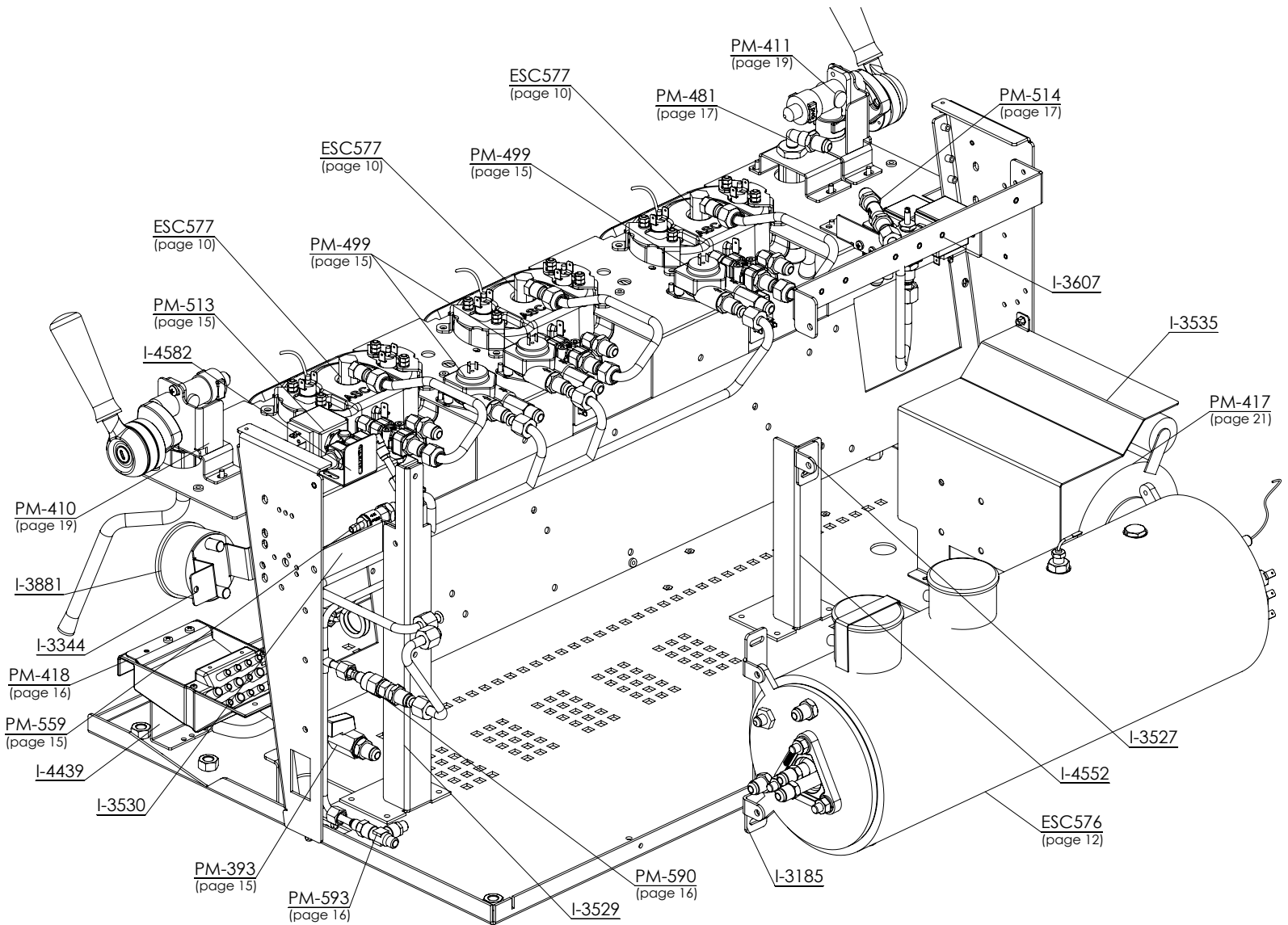
REF.	DESCRIPCIÓN	DESCRIPTION
I..119	PASACABLE DIAMETRO 14	Ø14 WIRINGPIN
I..422	TUERCA CON ARANDELA M4 INOX	M4 NUT WITH WASHERE
I..630	TAPON PLASTICO DIAM.28	PLASTIC CAP 28MM
I.2279	TORNILLO M5X50 DIN7991 A-4 80 INOX	SCREW M5X50 DIN7991 A-2 SS
I.3802	PRENSAESTOPA PG16+TUERCA COLOR NEGRO	WALL INSERT PG16+NUT
I.4298	TORNILLO CARROCERIA NYLON BIG DREAM	BODYWORK SCREW NYLON BD
I.4585	CHAPA AGUJERO DESAGUE BARISTA T	DRAIN HOLE COVER BARISTA T
I.4586	CAJA CONEXIONES BARISTA T ETL	CONNECTION BOX BARISTA T ETL
I.4683	TAPA CAJA CONEXIONES BARISTA T ETL	CONNECTION BOX COVER BARISTA T ETL
I.5074	REGLETA 3 POLOS	TERMINAL 3 POLES
I.5275	CHAPA AGUJERO VÁLVULA ENTRADA AGUA BARISTA T	WATER INLET VALVE HOLE COVER BARISTA T
I.5430	CASQUILLO REGLETA ETL	ETL TERMINAL BUSHING
MI.204	TORNILLO CABEZA ALOMADA PHILLIPS DIN 7985 INOX A4 M 4x10	SCREW DIN 7985 A4 M4x10 SS



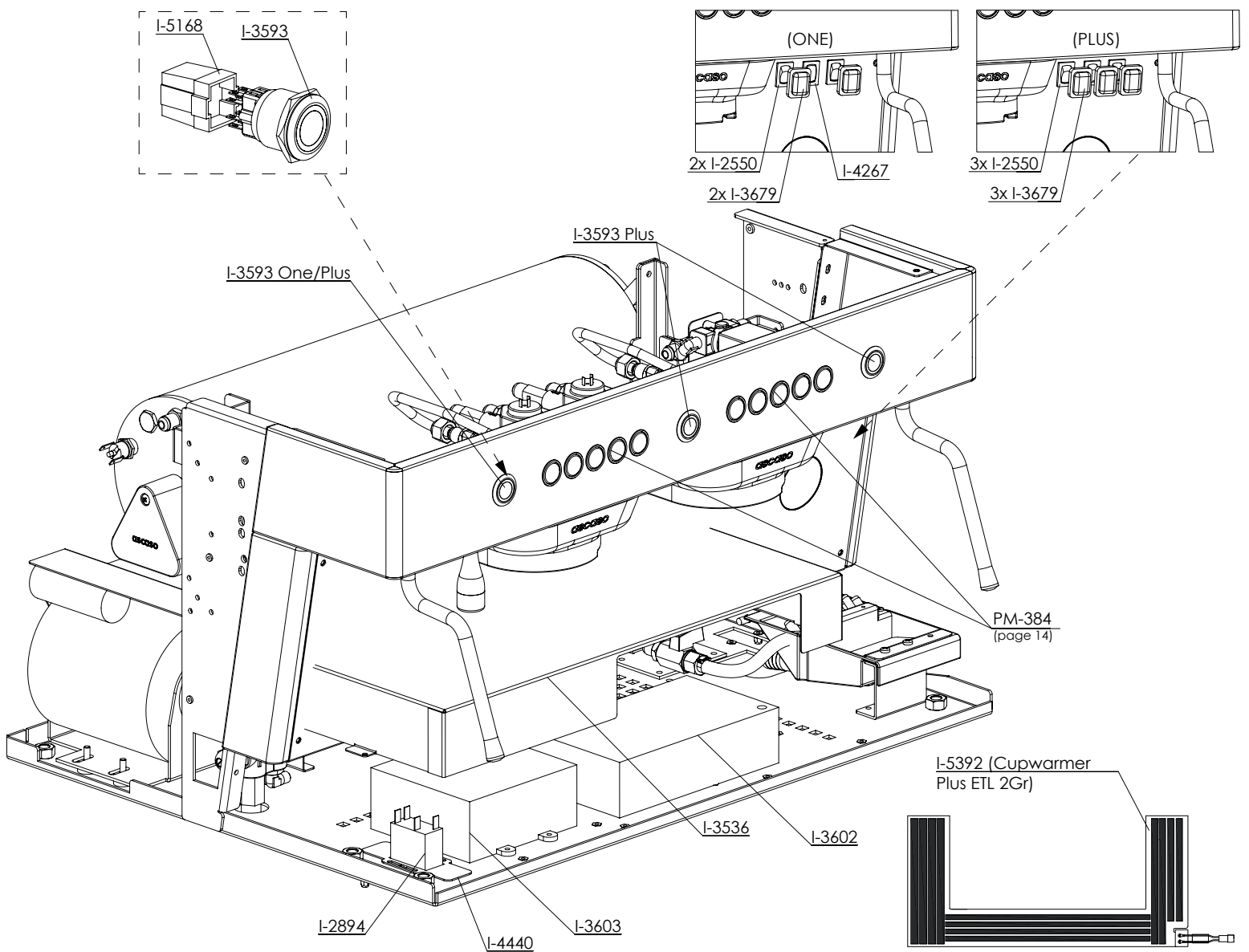
REF.	DESCRIPCIÓN	DESCRIPTION
ESC561	GRUPO INTERCAMBIADOR BARISTA T ONE	THERMOBLOCK BARISTA T ONE
ESC575	CALDERA VAPOR BARISTA T ONE ETL 2GR/3GR 230V	BOILER BARISTA T ONE ETL 2GR/3GR 230V
I.2364	RACOR CONTADOR VOLUMETRICO 1/8"-1/8" INOX	FITTING VOLUMETRIC CONTROL 1/8"-1/8"
I.3185	SOPORTE CALDERA VAPOR BIG DREAM/BARISTA T	STEAM BOILER SUPPORT BIG DREAM
I.3344	SOPORTE MANOMETRO BARISTA T	MANOMETER TUBE BIG DREAM BARISTA T
I.3529	COLUMNA CALDERA BARISTA T	BOILER COLUMN BARISTA T
I.3530	SOPORTE COLUMNA CALDERA BARISTA T	BOILER COLUMN SUPPORT BARISTA T
I.3531	SOPORTE CALDERA BARISTA T 2GR	BOILER SUPPORT BARISTA T 2GR
I.3535	CHAPA PROTECCION MOTOR BARISTA T 2GR	ENGINE PROTECTION SHEET BARISTA T 2GR
I.3881	MANOMETRO DOBLE BARISTA 2016	DOUBLE MANOMETER BARISTA 2016
I.4439	SUPLEMENTO CAZOleta BARISTA T	DRAIN SUPPLEMENT BARISTA T
I.4582	SOPORTE EV LLENADO BARISTA T	FILLING SOLENOID SUPPORT BARISTA T
PM.117	GRIFO VAPOR BARISTA	TAP STEAM BARISTA
PM.393	GRIFO DESAGÜE BARISTA T	DRAIN TAP BARISTA T
PM.409	ELECTROVALVULA AGUA CALIENTE BARISTA T ONE COMPLETA	HOT WATER BARISTA T ONE
PM.417	CONJUNTO MOTOR BARISTA T 220V	ASSEMBLY ENGINE BARISTA T 220V
PM.418	CAZOleta DESAGÜE BARISTA T	WATER DRAIN BARISTA T
PM.481	CONJUNTO SALIDA AGUA BABY T	ASSEMBLY WATER EXIT BABY T
PM.499	CONJUNTO VOLUMETRICO BARISTA T D.8	FLOWMETER ASSEMBLY BARISTA T D.8
PM.513	CONJUNTO ELECTROVALVULA LLENADO BARISTA T FLEXO	FILL SOLENOID BARISTA T ASEMBLY FLEX TUBE
PM.559	CONJUNTO VALVULA EXPANSION BARISTA T	EXPANSION VALVE ASSY. BARISTA T
PM.590	CONJUNTO VALVULA ANTIRRETORNO BDT/BT	NON-RETURN VALVE ASSEMBLY BDT/BT



REF.	DESCRIPCIÓN	DESCRIPTION
ESC576	CALDERA VAPOR BARISTA T PLUS ETL 2GR/3GR 230V	BOILER BARISTA T PLUS ETL 2GR/3GR 230V
ESC577	GRUPO INTERCAMBIADOR BARISTA T PLUS ETL 230V	THERMOBLOCK BARISTA T PLUS ETL 230V
I.3185	SOPORTE CALDERA VAPOR BIG DREAM/BARISTA T	STEAM BOILER SUPPORT BIG DREAM
I.3344	SOPORTE MANOMETRO BARISTA T	MANOMETER TUBE BIG DREAM BARISTA T
I.3529	COLUMNA CALDERA BARISTA T	BOILER COLUMN BARISTA T
I.3530	SOPORTE COLUMNA CALDERA BARISTA T	BOILER COLUMN SUPPORT BARISTA T
I.3531	SOPORTE CALDERA BARISTA T 2GR	BOILER SUPPORT BARISTA T 2GR
I.3535	CHAPA PROTECCION MOTOR BARISTA T 2GR	ENGINE PROTECTION SHEET BARISTA T 2GR
I.3881	MANOMETRO DOBLE BARISTA 2016	DOUBLE MANOMETER BARISTA 2016
I.4439	SUPLEMENTO CAZOLETA BARISTA T	DRAIN SUPPLEMENT BARISTA T
I.4582	SOPORTE EV LLENADO BARISTA T	FILLING SOLENOID SUPPORT BARISTA T
PM.393	GRIFO DESAGÜE BARISTA T	DRAIN TAP BARISTA T
PM.410	VAPOR DERECHO BARISTA T PLUS	RIGHT STEAM BARISTA T PLUS
PM.411	VAPOR IZQUIERDO BARISTA T PLUS	LEFT STEAM BARISTA T PLUS
PM.417	CONJUNTO MOTOR BARISTA T 220V	ASSEMBLY ENGINE BARISTA T 220V
PM.418	CAZOLETA DESAGÜE BARISTA T	WATER DRAIN BARISTA T
PM.481	CONJUNTO SALIDA AGUA BABY T	ASSEMBLY WATER EXIT BABY T
PM.499	CONJUNTO VOLUMETRICO BARISTA T D.8	FLOWMETER ASSEMBLY BARISTA T D.8
PM.513	CONJUNTO ELECTROVALVULA LLENADO BARISTA T FLEXO	FILL SOLENOID BARISTA T ASEMBLY FLEX TUBE
PM.514	CONJUNTO MIXER EV REGULABLE BARISTA T PLUS	ADJUSTABLE SOLENOID VALVE MIXER ASSEMBLY BARISTA T PLUS
PM.559	CONJUNTO VALVULA EXPANSION BARISTA T	EXPANSION VALVE ASSY. BARISTA T
PM.590	CONJUNTO VALVULA ANTIRRETORNO BDT/BT	NON-RETURN VALVE ASSEMBLY BDT/BT
PM.593	CONJUNTO REPARTIDOR AGUA BT PLUS	BT PLUS WATER DISTRIBUTOR ASSEMBLY

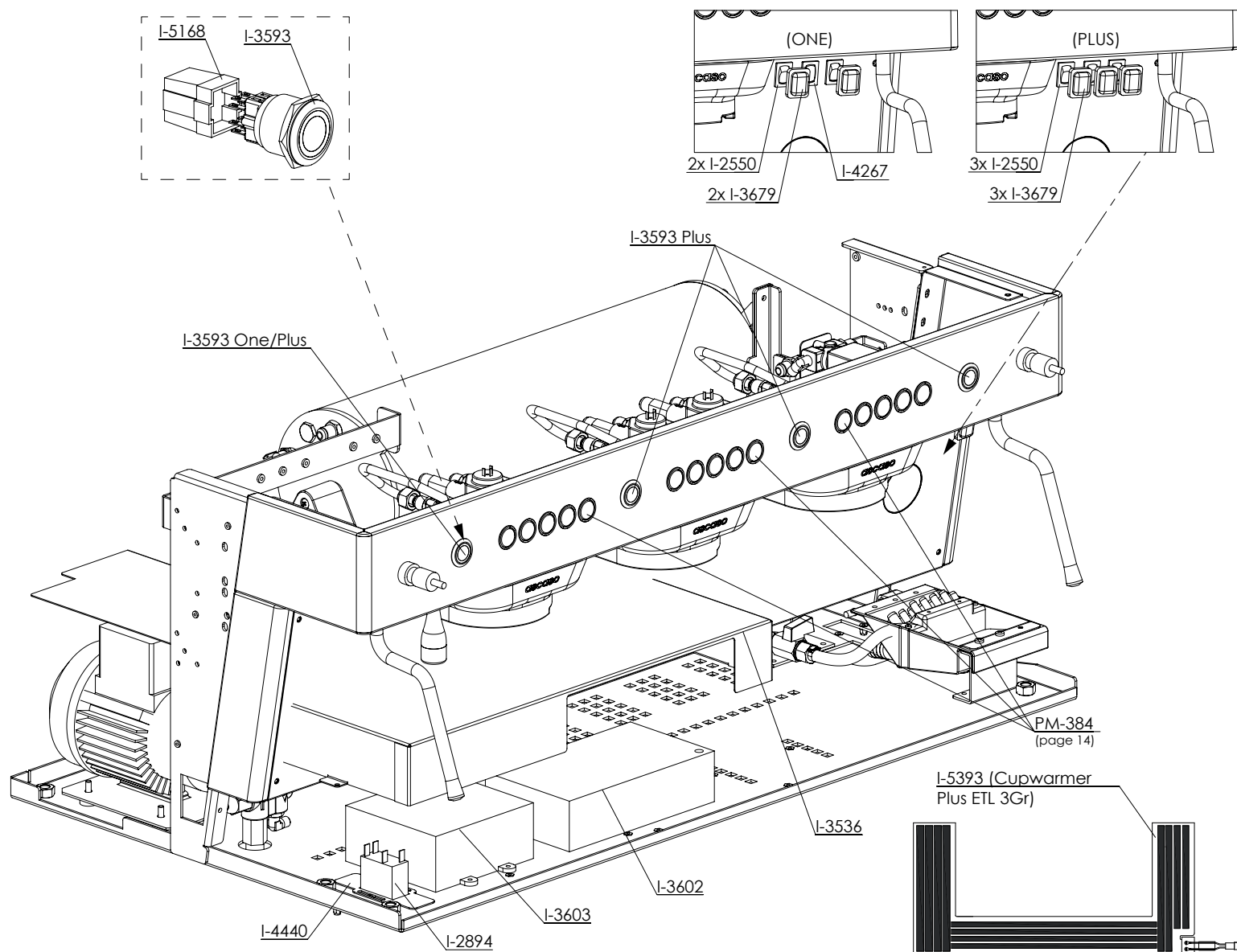


REF.	DESCRIPCIÓN	DESCRIPTION
ESC576	CALDERA VAPOR BARISTA T PLUS ETL 2GR/3GR 230V	BOILER BARISTA T PLUS ETL 2GR/3GR 230V
ESC577	GRUPO INTERCAMBIADOR BARISTA T PLUS ETL 230V	THERMOBLOCK BARISTA T PLUS ETL 230V
I.3185	SOPORTE CALDERA VAPOR BIG DREAM/BARISTA T	STEAM BOILER SUPPORT BIG DREAM
I.3344	SOPORTE MANOMETRO BARISTA T	MANOMETER TUBE BIG DREAM BARISTA T
I.3527	SOPORTE COLUMNA-CALDERA BARISTA T 3GR	BOILER-COLUMN SUPPORT BARISTA T
I.3529	COLUMNA CALDERA BARISTA T	BOILER COLUMN BARISTA T
I.3530	SOPORTE COLUMNA CALDERA BARISTA T	BOILER COLUMN SUPPORT BARISTA T
I.3535	CHAPA PROTECCION MOTOR BARISTA T 2GR	ENGINE PROTECTION SHEET BARISTA T 2GR
I.3607	SOPORTE CALDERA BARISTA T 3GR	BOILER SUPPORT BARISTA T 3GR
I.3881	MANOMETRO DOBLE BARISTA 2016	DOUBLE MANOMETER BARISTA 2016
I.4439	SUPLEMENTO CAZOLETA BARISTA T	DRAIN SUPPLEMENT BARISTA T
I.4552	COLUMNA CALDERA BARISTA T 3GR	BOILER COLUMN BARISTA T 3GR
I.4582	SOPORTE EV LLENADO BARISTA T	FILLING SOLENOID SUPPORT BARISTA T
PM.393	GRIFO DESAGÜE BARISTA T	DRAIN TAP BARISTA T
PM.410	VAPOR DERECHO BARISTA T PLUS	RIGHT STEAM BARISTA T PLUS
PM.411	VAPOR IZQUIERDO BARISTA T PLUS	LEFT STEAM BARISTA T PLUS
PM.417	CONJUNTO MOTOR BARISTA T 220V	ASSEMBLY ENGINE BARISTA T 220V
PM.418	CAZOLETA DESAGÜE BARISTA T	WATER DRAIN BARISTA T
PM.481	CONJUNTO SALIDA AGUA BABY T	ASSEMBLY WATER EXIT BABY T
PM.499	CONJUNTO VOLUMETRICO BARISTA T D.8	FLOWMETER ASSEMBLY BARISTA T D.8
PM.513	CONJUNTO ELECTROVALVULA LLENADO BARISTA T FLEXO	FILL SOLENOID BARISTA T ASEMBLY FLEX TUBE
PM.514	CONJUNTO MIXER EV REGULABLE BARISTA T PLUS	ADJUSTABLE SOLENOID VALVE MIXER ASSEMBLY BARISTA T PLUS
PM.559	CONJUNTO VALVULA EXPANSION BARISTA T	EXPANSION VALVE ASSY. BARISTA T
PM.590	CONJUNTO VALVULA ANTIRRETORNO BDT/BT	NON-RETURN VALVE ASSEMBLY BDT/BT
PM.593	CONJUNTO REPARTIDOR AGUA BT PLUS	BT PLUS WATER DISTRIBUTOR ASSEMBLY



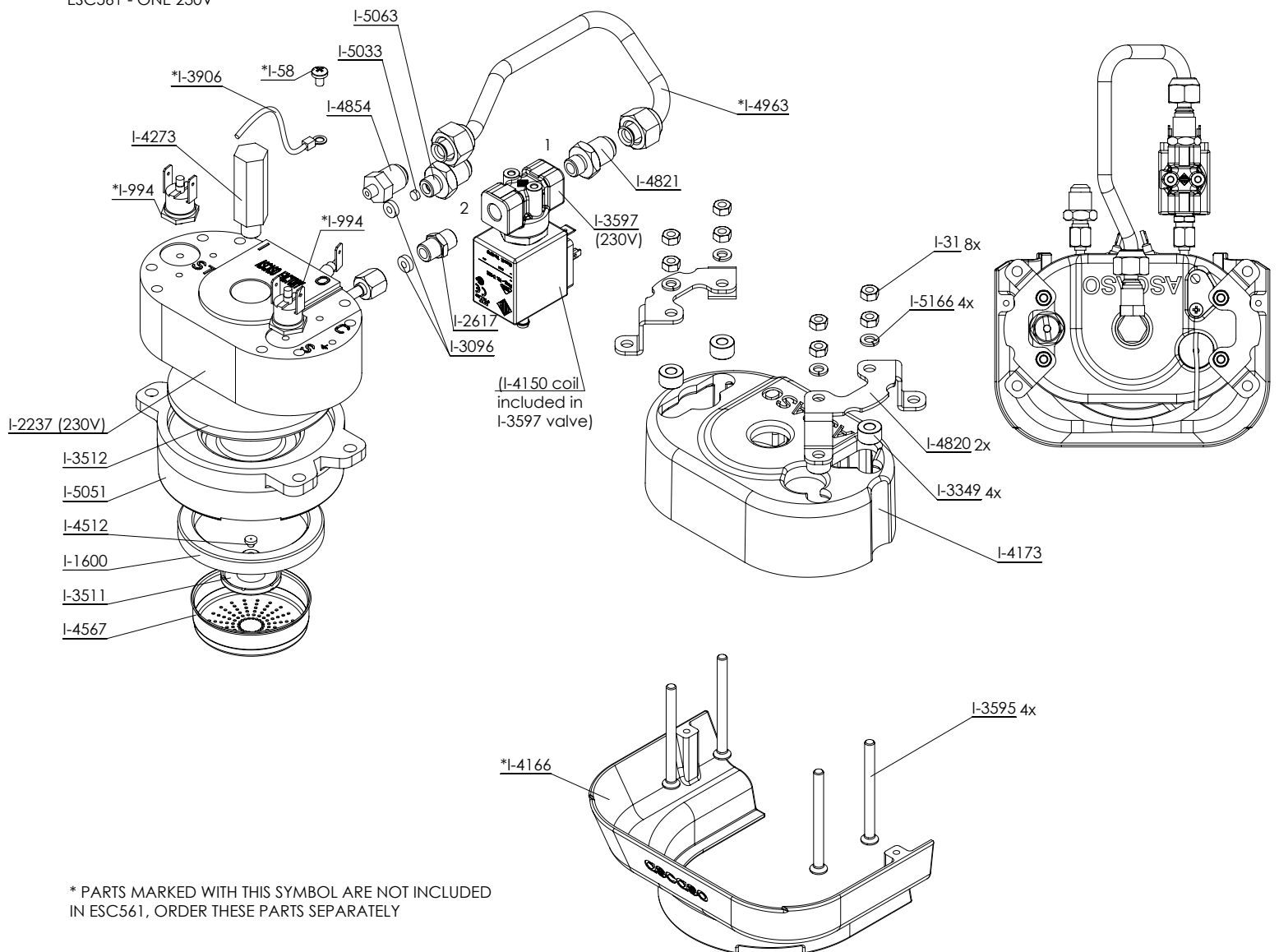
REF.	DESCRIPCIÓN
I.2550	INTERRUPTOR ON-OFF ACCESORIOS BARISTA T
I.2894	INTERRUPTOR GENERAL BIG DREAM/BARISTA T
I.3536	TAPA CENTRALITAS BARISTA T 2GR/3GR
I.3593	INTERRUPTOR AV D.25 BARISTA T
I.3602	PCB CONTROL BARISTA T
I.3603	PCB CONTROL POTENCIA BARISTA T
I.3679	PROTECTOR PVC INTERRUPTOR
I.4267	TAPA CIEGA INTERRUPTOR LED BAR/BARISTA
I.4440	SOPORTE INTERRUPTOR BARISTA T
I.5168	CONECTOR INTERRUPTOR AV D.25
I.5392	RESISTENCIA CALIENTATAZAS BARISTA T 2GR - VERSION UL
PM.384	BOTONERA BARISTA T

DESCRIPTION
BARISTA T ACCESORIES ON/OFF SWITCH
BIG DREAM/BARISTA T MAIN SWITCH
ELECTRONIC BOXES LID BARISTA T 2GR/3GR
BARISTA T D.25 AV SWITCH
BARISTA T CONTROL PCB
BARISTA T POWER CONTROL PCB
PVC SWITCH PROTECTOR RL-31
BLIND LID SWITCH LED BAR/BARISTA
SWITCH BRACKET BARISTA T
CONECTOR INTERRUPTOR AV D.25 I.3593
BARISTA T 2GR CUP WARMER - UL VERSION
DOSING PANNEL BARISTA T



REF.	DESCRIPCIÓN	DESCRIPTION
I.2550	INTERRUPTOR ON-OFF ACCESORIOS BARISTA T	BARISTA T ACCESORIES ON/OFF SWITCH
I.2894	INTERRUPTOR GENERAL BIG DREAM/BARISTA T	BIG DREAM/BARISTA T MAIN SWITCH
I.3536	TAPA CENTRALITAS BARISTA T 2GR/3GR	ELECTRONIC BOXES LID BARISTA T 2GR/3GR
I.3593	INTERRUPTOR AV D.25 BARISTA T	BARISTA T D.25 AV SWITCH
I.3602	PCB CONTROL BARISTA T	BARISTA T CONTROL PCB
I.3603	PCB CONTROL POTENCIA BARISTA T	BARISTA T POWER CONTROL PCB
I.3679	PROTECTOR PVC INTERRUPTOR	PVC SWITCH PROTECTOR RL-31
I.4267	TAPA CIEGA INTERRUPTOR LED BAR/BARISTA	BLIND LID SWITCH LED BAR/BARISTA
I.4440	SOPORTE INTERRUPTOR BARISTA T	SWITCH BRACKET BARISTA T
I.5168	CONECTOR INTERRUPTOR AV D.25	CONECTOR INTERRUPTOR AV D.25 I.3593
I.5393	RESISTENCIA CALIENTATAZAS BARISTA T 3GR - VERSION UL	BARISTA T 3GR CUP WARMER - UL VERSION
PM.384	BOTONERA BARISTA T	DOSING PANNEL BARISTA T

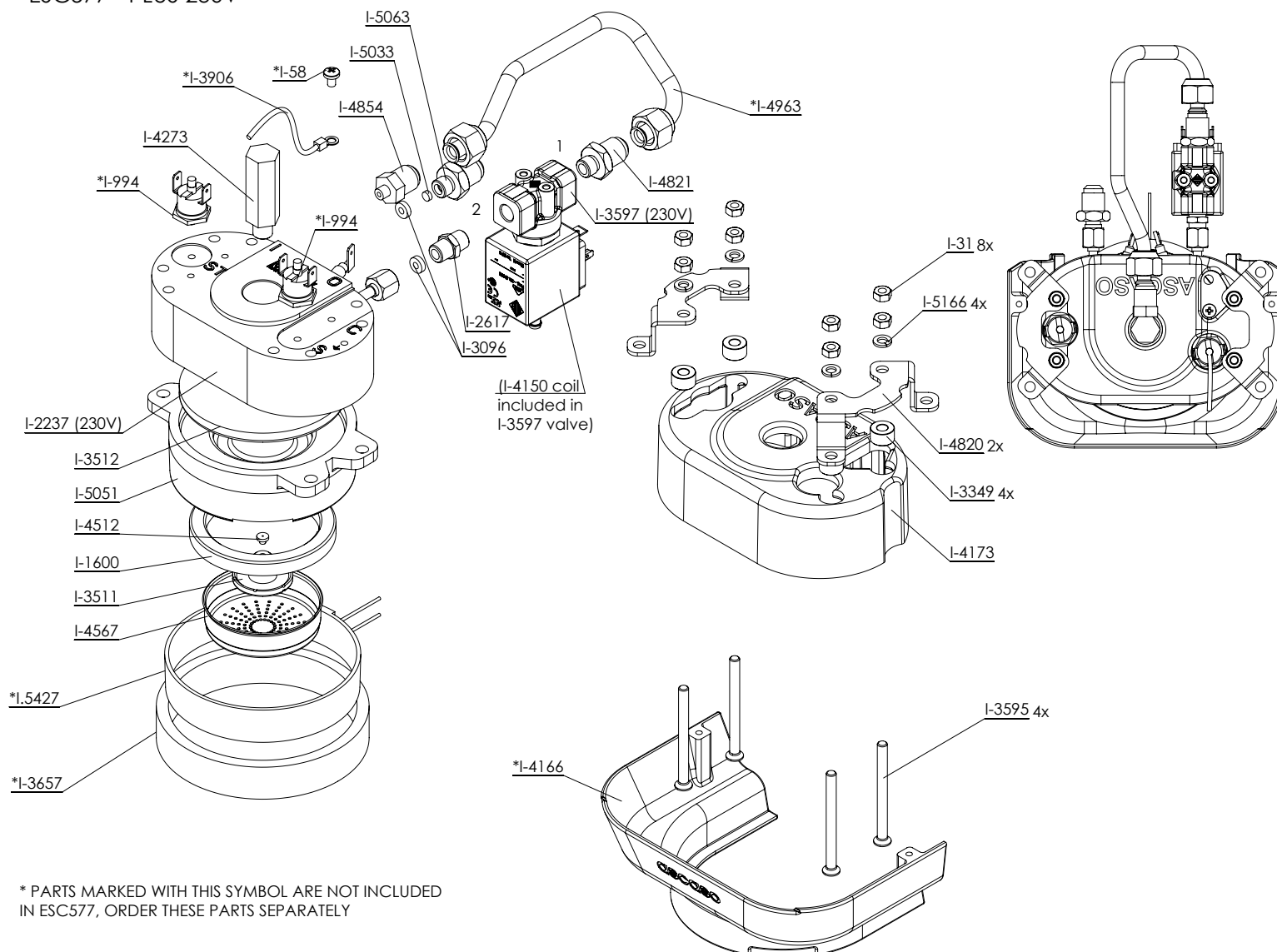
ESC561 - ONE 230V



* PARTS MARKED WITH THIS SYMBOL ARE NOT INCLUDED IN ESC561, ORDER THESE PARTS SEPARATELY

REF.	DESCRIPCIÓN	DESCRIPTION
ESC561	GRUPO INTERCAMBIADOR BARISTA T ONE	THERMOBLOCK BARISTA T ONE
I...31	TUERCA M5 INOX	M5 NUT SS
I...58	TORNILLO BRIDA FUSIBLE INOX	SCREW
I.994	TERMOSTATO SEGURIDAD 145°	THERMOSTAT SAFETY
I.1600	JUNTA PORTAFILTROS 8 mm	FILTERHOLDER GASKET 8MM
I.2237	CJTO INTERCAMBIADOR INOX. 230V	THERMOBLOCK INOX. 230V (INCLUDE 2xI.3096)
I.2617	CONECTOR RECTO 1/8 M.M INOX	STRAIGHT CONNECTOR 1/8 M.M INOX
I.3096	JUNTA INTERCAMBIADOR	HEAT EXCHANGER GASKET
I.3349	TOPE PATA SOPORTE GRUPO BARISTA T	GROUP SUPPORT PAW STOP BARISTA T
I.3511	ROCIADOR GRUPO PROF. 2016	SPRAY GROUP PROF. 2016
I.3512	POSTIZO CAMPANA PROF. 2016	BELL PROF. 2016 SUPPLEMENT
I.3595	TORNILLO DIN 965 M5x60 INOX	BOLT DIN 965 M5x60 INOX
I.3597	EV GRUPO BT 3/2 NC RUBY DN1.5mm G1/8 230V	GROUP SOLENOID BT 3/2 NC RUBY DN1.5mm G1/8 230V
I.3906	SONDA TEMPERATURA BARISTA T/STEEL PID (.10/2013)	TEMPERATURE PROBE STEEL UNO PID (.10/2013)
I.4150	BOBINA 16VA 230V/50Hz-240V/60Hz CE/UL/CSA (PROF)	COIL 16VA 230V/50Hz-240V/60Hz CE/UL/CSA (PROF)
I.4166	CUBRE GRUPOS BARISTA T	GROUP COVER BARISTA T
I.4173	FUNDA TERMICA INTECAMBIADOR INOX.	THERMOBLOCK THERMAL CASE
I.4273	RACOR ENTRADA INTERCAMBIADOR BARISTA T	IN.RACOR THERMOBLOCK BARISTA T
I.4512	CHICLE GRUPO BARISTA T 0.7	JET GROUP BARISTA T 0.7
I.4567	DUCHA SIMPLE 60 MM	SIMPLE SHOWER 60 MM
I.4820	SOPORTE GRUPO BARISTA T	GROUP SUPPORT BARISTA T
I.4821	RACOR 1/8" - 1/4" ABOCARDADO	FITTING 1/8" - 1/4" FLARED
I.4854	RACOR CONEXION INTERCAMBIADOR BARISTA T (M6-1/4")	EXCHANGER CONNECTION FITTING BARISTA T (M6-1/4")
I.4963	TUBO SALIDA GRUPO BARISTA T D.8	GROUP EXIT PIPE BARISTA T D.8
I.5033	FILTRO DISCO 5x2 AISI304	DISC FILTER 5x2
I.5051	CAMPANA PROF. 2020	BELL PROF. 2020
I.5063	RACOR 1/8" - 1/4" PARA FILTRO DISCO 5x2	FITTING 1/4 - 1/8
I.5166	ARANDELA GROWER DIN127 M5	WASHER GROWER DIN127 M5

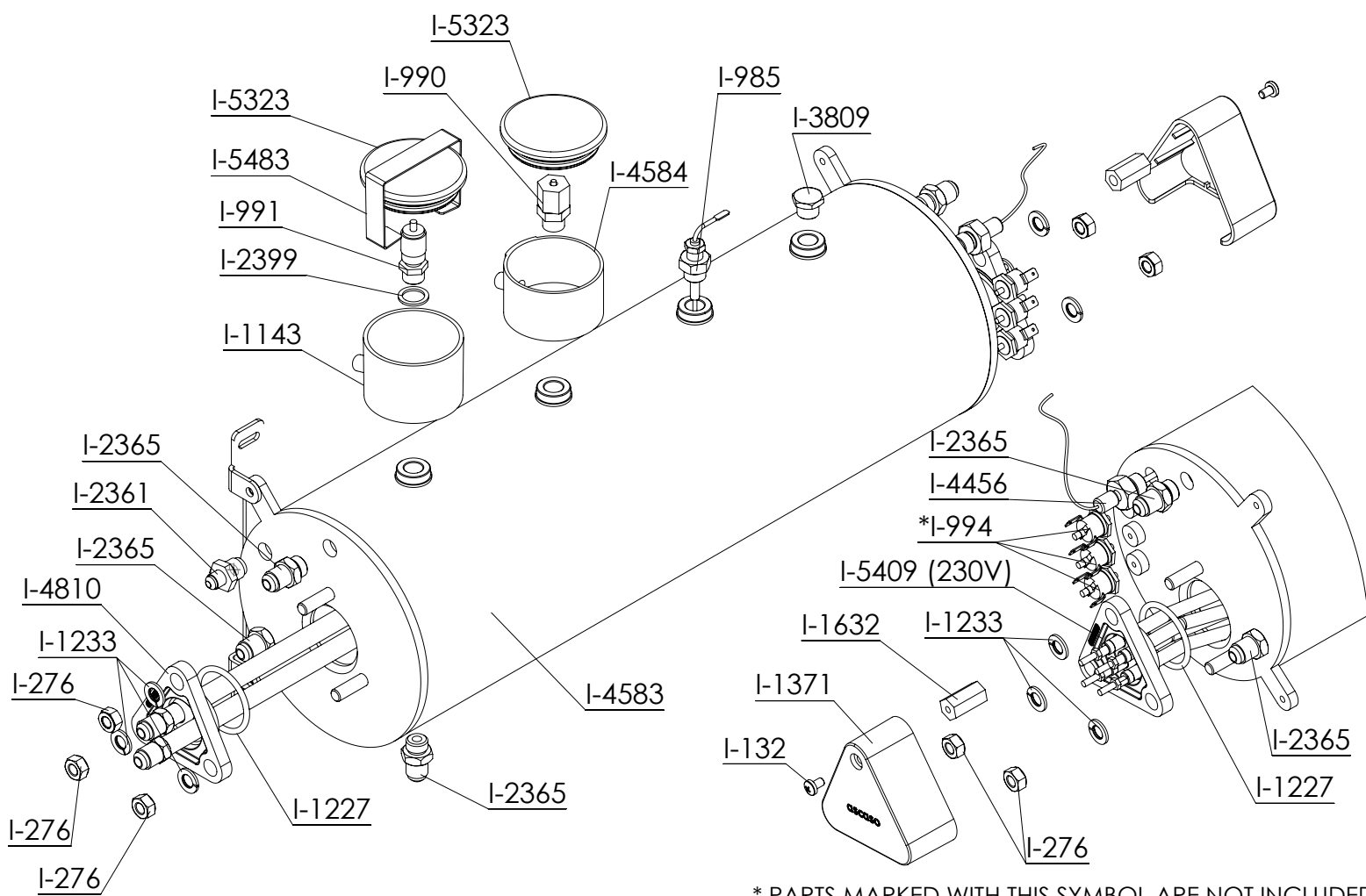
ESC577 - PLUS 230V



* PARTS MARKED WITH THIS SYMBOL ARE NOT INCLUDED IN ESC577, ORDER THESE PARTS SEPARATELY

REF.	DESCRIPCIÓN	DESCRIPTION
ESC577	GRUPO INTERCAMBIADOR BARISTA T PLUS ETL 230V	THERMOBLOCK BARISTA T PLUS ETL 230V
I...31	TUERCA M5 INOX	M5 NUT SS
I..58	TORNILLO BRIDA FUSIBLE INOX	SCREW
I..994	TERMOSTATO SEGURIDAD 145°	THERMOSTAT SAFETY
I.1600	JUNTA PORTAFILTROS 8 mm	FILTERHOLDER GASKET 8MM
I.2237	CJTO INTERCAMBIADOR INOX. 230V	THERMOBLOCK INOX. 230V (INCLUDE 2xI.3096)
I.2617	CONECTOR RECTO 1/8 M.M INOX	STRAIGHT CONNECTOR 1/8 M.M INOX
I.3096	JUNTA INTERCAMBIADOR	HEAT EXCHANGER GASKET
I.3349	TOPE PATA SOPORTE GRUPO BARISTA T	GROUP SUPPORT PAW STOP BARISTA T
I.3511	ROCIADOR GRUPO PROF. 2016	SPRAY GROUP PROF. 2016
I.3512	POSTIZO CAMPANA PROF. 2016	BELL PROF. 2016 SUPPLEMENT
I.3595	TORNILLO DIN 965 M5x60 INOX	BOLT DIN 965 M5x60 INOX
I.3597	EV GRUPO BT 3/2 NC RUBY DN1.5mm G1/8 230V	GROUP SOLENOID BT 3/2 NC RUBY DN1.5mm G1/8 230V
I.3657	FUNDA TERMICA CAMPANA GRUPO PROF	GROUP PROF BELL THERMAL CASE
I.3906	SONDA TEMPERATURA BARISTA T/STEEL PID (.10/2013)	TEMPERATURE PROBE STEEL UNO PID (.10/2013)
I.4150	BOBINA 16VA 230V/50Hz-240V/60Hz CE/UL/CSA (PROF)	COIL 16VA 230V/50Hz-240V/60Hz CE/UL/CSA (PROF)
I.4166	CUBRE GRUPOS BARISTA T	GROUP COVER BARISTA T
I.4173	FUNDA TERMICA INTECAMBIADOR INOX.	THERMOBLOCK THERMAL CASE
I.4273	RACOR ENTRADA INTERCAMBIADOR BARISTA T	IN.RACOR THERMOBLOCK BARISTA T
I.4512	CHICLE GRUPO BARISTA T 0.7	JET GROUP BARISTA T 0.7
I.4567	DUCHA SIMPLE 60 MM	SIMPLE SHOWER 60 MM
I.4820	SOPORTE GRUPO BARISTA T	GROUP SUPPORT BARISTA T
I.4821	RACOR 1/8" - 1/4" ABOCARDADO	FITTING 1/8" - 1/4" FLARED
I.4854	RACOR CONEXION INTERCAMBIADOR BARISTA T (M6-1/4")	EXCHANGER CONNECTION FITTING BARISTA T (M6-1/4")
I.4963	TUBO SALIDA GRUPO BARISTA T D.8	GROUP EXIT PIPE BARISTA T D.8
I.5033	FILTRO DISCO 5x2 AISI304	DISC FILTER 5x2
I.5051	CAMPANA PROF. 2020	BELL PROF. 2020
I.5063	RACOR 1/8" - 1/4" PARA FILTRO DISCO 5x2	FITTING 1/4 - 1/8
I.5166	ARANDELA GROWER DIN127 M5	WASHER GROWER DIN127 M5
I.5427	RESISTENCIA ADHESIVA GRUPO BARISTA T 230V 20W UL	ADHESIVE RESISTANCE BARISTA T GROUP 230V 20W UL

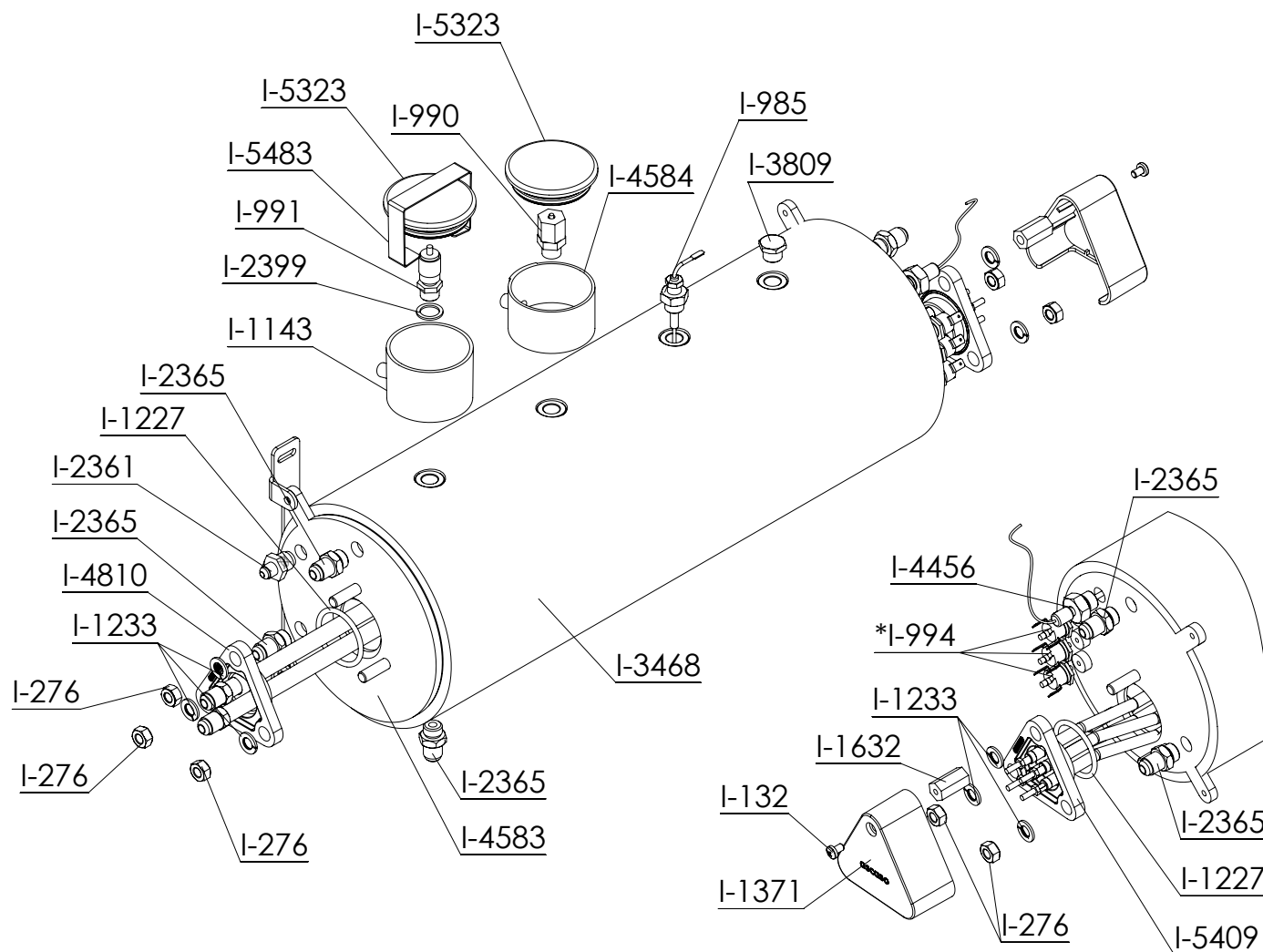
ESC575 - ONE 2GR/3GR 230V



* PARTS MARKED WITH THIS SYMBOL ARE NOT INCLUDED IN ESC575, ORDER THESE PARTS SEPARATELY

REF.	DESCRIPCIÓN	DESCRIPTION
ESC575	CALDERA VAPOR BARISTA T ONE ETL 2GR/3GR 230V	BOILER BARISTA T ONE ETL 2GR/3GR 230V
I..132	TORNILLO M5x8 INOX	SCREW
I..276	TUERCA M8 INOX	M8 NUT SS
I..985	SONDA BAR COMPLETA 120MM	120MM LEVEL PROBE
I..990	VALVULA VACIO BAR 1/4	BAR EMPTY SOLENOID
I..991	VALVULA DE SEGURIDAD BAR	SAFETY BAR VALVE
I..994	TERMOSTATO SEGURIDAD 145°	THERMOSTAT SAFETY
I.1143	CAZOLETA VALVULA VACIO	BAR TRAY WATER BOILER
I.1227	TORICA 37.69 x 3.53 SILICONA	SILICONE RING 37.69 X 3.53
I.1233	ARANDELA GROWER M8 DIN 127/B INOX.	GROWER SAFETY WASHER M8 DIN 127/B SS
I.1371	TAPA PROTECTOR RESISTENCIA	RESISTANCE PROTECTOR LID
I.1632	TUERCA ESPECIAL RESISTENCIA INOX	RESISTANCE NUT
I.2361	RACOR INYECTOR 1/4". 1/8"	FITTING INYECTOR 1/4".1/8"
I.2365	RACOR CALDERA 1/4" INOX	FITTING BOILER 1/4"
I.2399	JUNTA COBRE 1/4"	COPPER JOINT 1/4"
I.3809	TAPON 1/4 INOX	1/4 INOX CAP
I.4456	SONDA TEMPERATURA CALDERA VAPOR BARISTA T	BOILER BARISTA T TEMPERATURE PROBE
I.4583	CALDERA VAPOR 8.5L BIG DREAM/BARISTA T 2/3 GRUPOS	BOILER CHAUDIERE 8.5L BIG DREAM/BARISTA T 2/3 GROUPS
I.4584	CAZOLETA VALVULA VACIO BARISTA T 1/4"D60XH30MM/F14	TRAY WATER BOILER BARISTA T 1/4"D60XH30MM/F14
I.4810	PRECALENTADOR COMPLETO BARISTA T	HEAT EXCHANGER BARISTA T
I.5323	TAPA CAZOLETA VALVULA VACIO	COVER CUP EMPTY VALVE
I.5409	RESISTENCIA BARISTA T 2/3GR 3500W 230V	RESISTANCE BARISTA T 2/3GR 3500W 230V
I.5483	BRIDA CAZOLETA	BOWL FLANGE

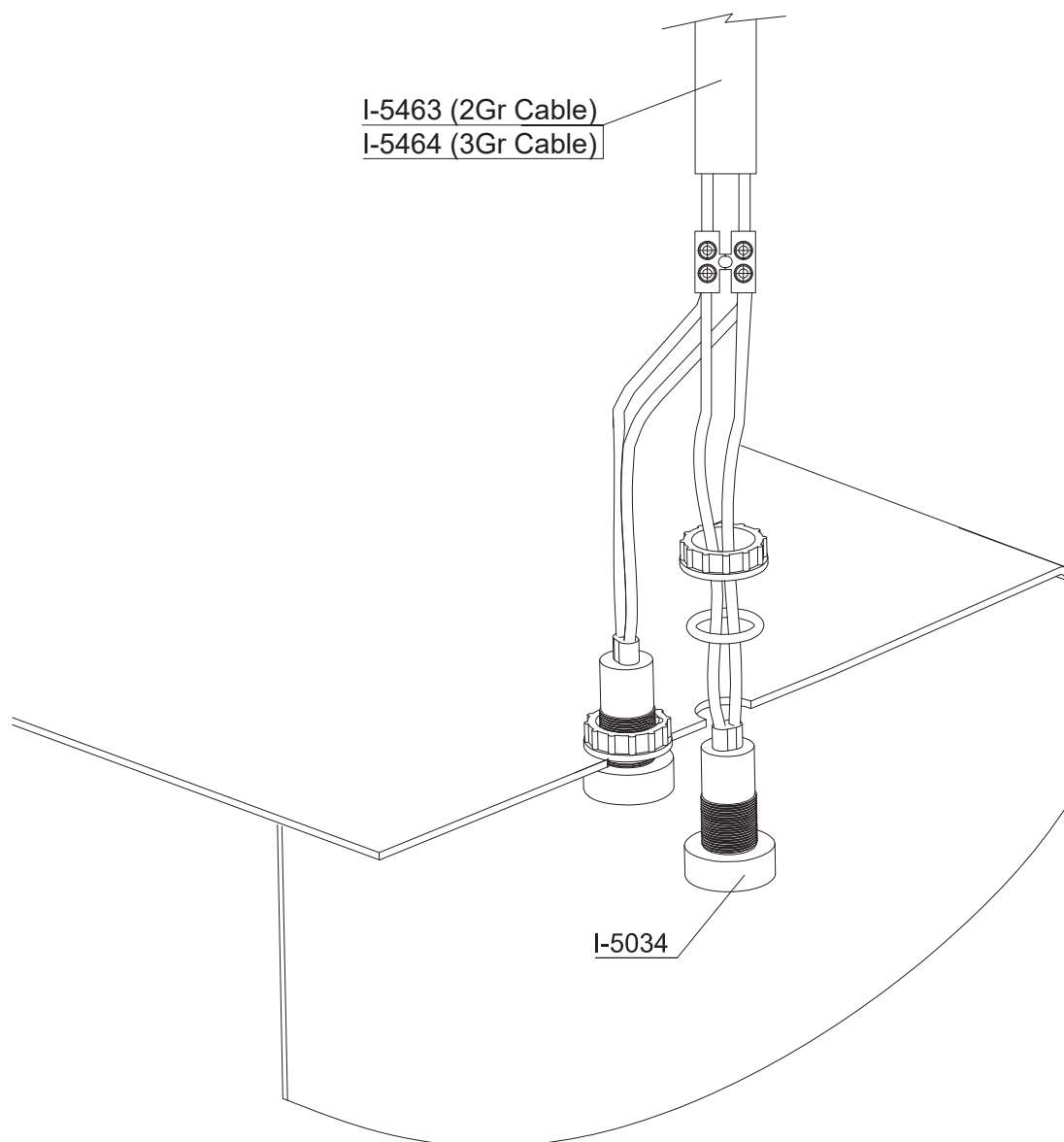
ESC576 - PLUS 2GR/3GR 230V



* PARTS MARKED WITH THIS SYMBOL ARE NOT INCLUDED IN ESC576, ORDER THESE PARTS SEPARATELY

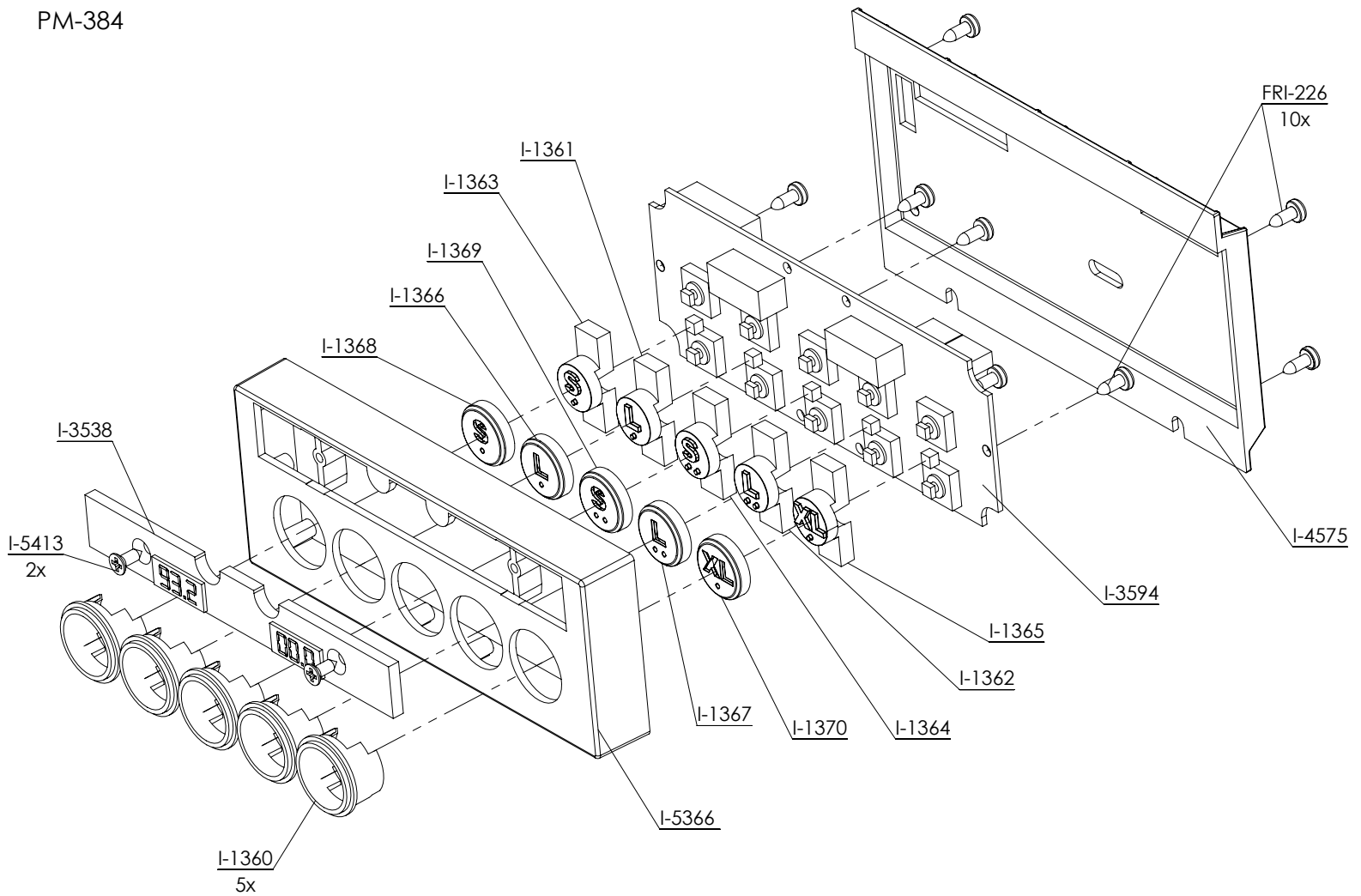
REF.	DESCRIPCIÓN
ESC576	CALDERA VAPOR BARISTA T PLUS ETL 2GR/3GR 230V
I..132	TORNILLO M5x8 INOX
I..276	TUERCA M8 INOX
I..985	SONDA BAR COMPLETA 120MM
I..990	VALVULA VACIO BAR 1/4
I..991	VALVULA DE SEGURIDAD BAR
I..994	TERMOSTATO SEGURIDAD 145°
I.1143	CAZOLETA VALVULA VACIO
I.1227	TORICA 37.69 x 3.53 SILICONA
I.1233	ARANDELA GROWER M8 DIN 127/B INOX.
I.1371	TAPA PROTECTOR RESISTENCIA
I.1632	TUERCA ESPECIAL RESISTENCIA INOX
I.2361	RACOR INYECTOR 1/4". 1/8"
I.2365	RACOR CALDERA 1/4" INOX
I.2399	JUNTA COBRE 1/4"
I.3468	FUNDA TERMICA CALDERA 2GR BIG DREAM/BARISTA T
I.3809	TAPON 1/4 INOX
I.4456	SONDA TEMPERATURA CALDERA VAPOR BARISTA T
I.4583	CALDERA VAPOR 8.5L BIG DREAM/BARISTA T 2/3 GRUPOS
I.4584	CAZOLETA VALVULA VACIO BARISTA T 1/4"D60XH30MM/F14
I.4810	PRECALENTADOR COMPLETO BARISTA T
I.5323	TAPA CAZOLETA VALVULA VACIO
I.5409	RESISTENCIA BARISTA T 2/3GR 3500W 230V
I.5483	BRIDA CAZOLETA

DESCRIPTION
BOILER BARISTA T PLUS ETL 2GR/3GR 230V
SCREW
M8 NUT SS
120MM LEVEL PROBE
BAR EMPTY SOLENOID
SAFETY BAR VALVE
THERMOSTAT SAFETY
BAR TRAY WATER BOILER
SILICONE RING 37.69 X 3.53
GROWER SAFETY WASHER M8 DIN 127/B SS
RESISTANCE PROTECTOR LID
RESISTANCE NUT
FITTING INYECTOR 1/4".1/8"
FITTING BOILER 1/4"
COPPER JOINT 1/4"
2GR BOILER THERMAL CASE BIG DREAM
1/4 INOX CAP
BOILER BARISTA T TEMPERATURE PROBE
BOILER CHAUDIERE 8.5L BIG DREAM/BARISTA T 2/3 GROUPS
TRAY WATER BOILER BARISTA T 1/4"D60XH30MM/F14
HEAT EXCHANGER BARISTA T
COVER CUP EMPTY VALVE
RESISTANCE BARISTA T 2/3GR 3500W 230V
BOWL FLANGE



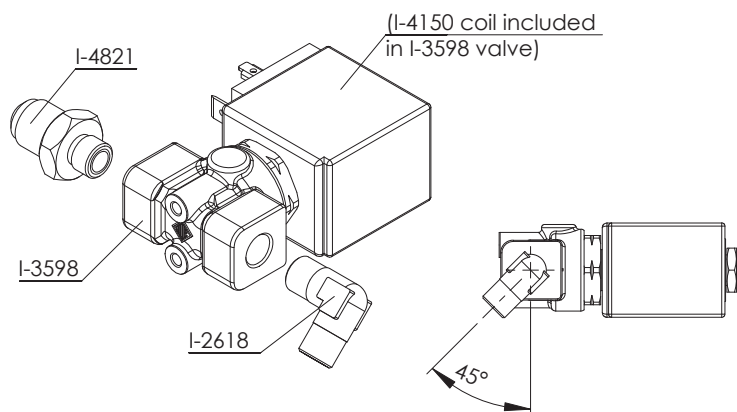
REF.	DESCRIPCIÓN	DESCRIPTION
I.5034	LED LUZ BLANCA 230V +TUERCA+TORICA	LED 230V.
I.5463	CABLE LED BARISTA T 2GR ETL	CABLE LED BARISTA T 2GR ETL
I.5464	CABLE LED BAR/BARISTA T 3GR ETL	CABLE LED BAR/BARISTA T 3GR ETL

PM-384

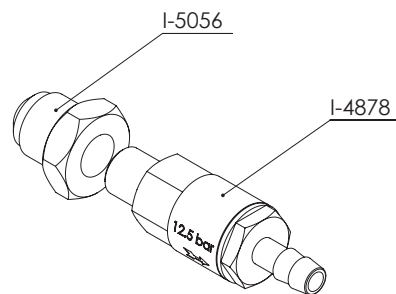


REF.	DESCRIPCIÓN	DESCRIPTION
FRI226	TORNILLO AUTOROSCANTE CABEZA ALOMADA PHILLIPS DIN 7981 INOX A4 3.5x9	DIN7981 3.5x9 A4 SCREW
I.1360	EMBELLECEDOR BOTONERA	DOSING DEVICE PROTECTOR
I.1361	INTERRUPTOR L	SWITCH L
I.1362	INTERRUPTOR L2	SWITCH L2
I.1363	INTERRUPTOR S	SWITCH S
I.1364	INTERRUPTOR S2	SWITCH S2
I.1365	INTERRUPTOR XL	SWITCH XL
I.1366	BOTÓN TECLA L	KEY L
I.1367	BOTÓN TECLA L2	KEY L2
I.1368	BOTÓN TECLA S	KEY S
I.1369	BOTÓN TECLA S2	KEY S2
I.1370	BOTÓN TECLA XL	KEY XL
I.3538	MIRILLA BARISTA T	SCREEN BARISTA T
I.3594	PLACA ELECTRÓNICA BOTONERA BARISTA T	DOSING PANNEL ELECTRONIC PLATE BARISTA T
I.4575	TAPA CAJA BOTONERA 2018	DOSING DEVICE BOX LID 2018
I.5366	CAJA BOTONERA BARISTA T/BABY T	PLASTIC DOSING PANNEL LID BARISTA T
I.5413	TORNILLO DIN 7982 Ø3,5 x 9,5 INOX A4	SCREW DIN 7982 Ø3,5 x 9,5 STAINLESS STEEL A4
PM.384	CONJUNTO BOTONERA BARISTA T	ASSY DOSING PANNEL BARISTA T

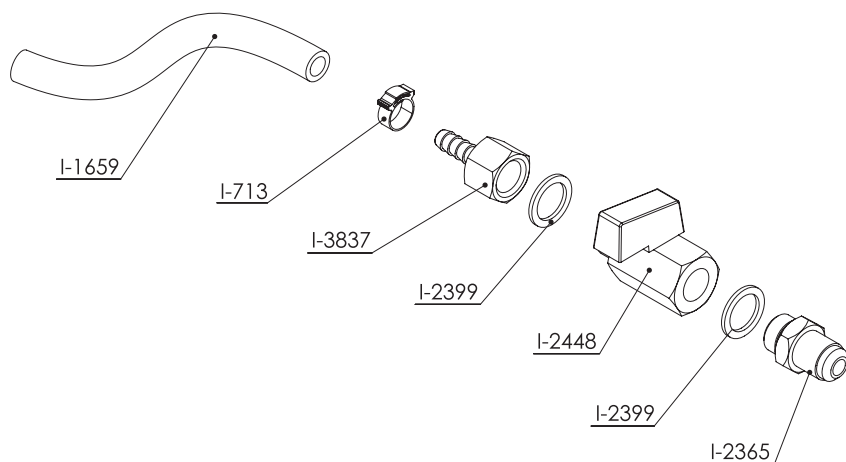
PM-513 - FILL SOLENOID BARISTA T ASSEMBLY FLEX TUBE



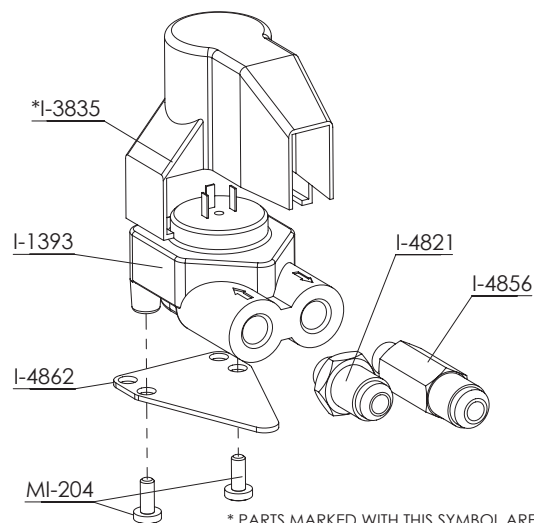
PM-559 - EXPANSION VALVE BARISTA T ASSY.



PM.393 - DRAIN TAP BARISTA T ASSY.



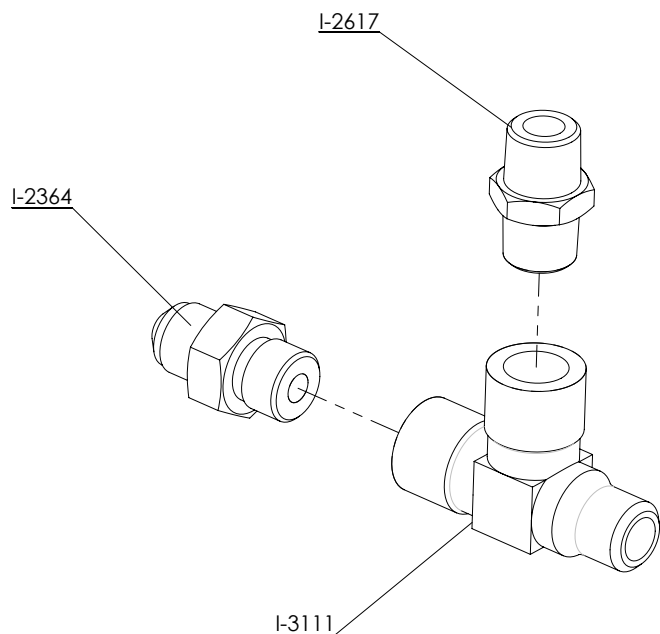
PM-499 - FLOWMETER ASSEMBLY BARISTA T D.8



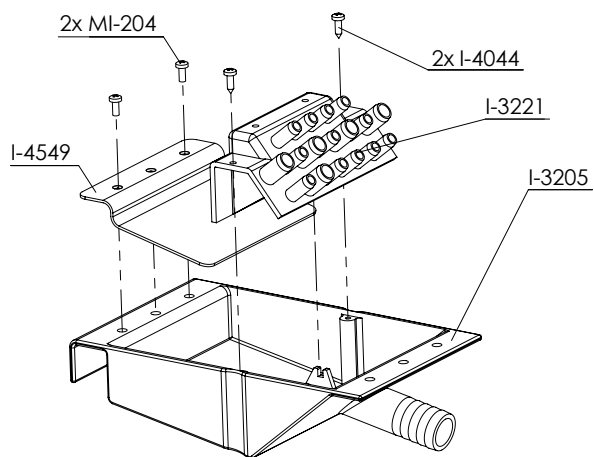
* PARTS MARKED WITH THIS SYMBOL ARE NOT INCLUDED IN PM-499, ORDER THESE PARTS SEPARATELY

REF.	DESCRIPCIÓN	DESCRIPTION
I.713	ABRAZADERA PARA LATIGUILLOS 9.2-10.5	CLAMP
I.1393	CONTADOR VOLUMETRICO 1/8	FLOWMETER 1/8
I.1659	TUBO SILICONA 7X11 (300mm)	SILICONE D=13X10 L=50 MM PIPE
I.2365	RACOR CALDERA 1/4" INOX	FITTING BOILER 1/4"
I.2399	JUNTA COBRE 1/4"	COPPER JOINT 1/4"
I.2448	VALVULA BOLA 1/4 BARISTA	BARISTA SOLENOID BALL 1/4
I.2618	RACOR CODO 1/8 M-M INOX	ELBOW FITTING 1/8 M-M INOX (old I.90)
I.3598	ELECTROVALVULA LLENADO BT 2/2 NC FKM DN1.5mm 230V	FILL SOLENOID BT 2/2 NC FKM DN1.5mm G1/8 230V
I.3835	PROTECCION VOLUMETRICOS BARISTA T	FLOWMETERS PROTECTIVE
I.3837	ESPIGA HEMBRA 7 1/4	FITTING
I.4150	BOBINA 16VA 230V/50Hz-240V/60Hz CE/UL/CSA (PROF)	COIL 16VA 230V/50Hz-240V/60Hz CE/UL/CSA (PROF)
I.4821	RACOR 1/8" - 1/4" ABOCARDADO	FITTING 1/8" - 1/4" FLARED
I.4856	RACOR 1/8" LARGO -1/4" ABOCARDADO	FITTING 1/4 LONG 1/8 BOTHERED
I.4862	SOPORTE VOLUMETRICOS BARISTA T	BARISTA T SUPPORT FLOW METER
I.4878	VALVULA EXPANSION 1/8"- D.6 12.5bar	EXPANSION VALVE 1/8"- D.6 12.5bar
I.5056	RACOR 1/8H - 1/4 ABOCARDADO	1/8H - 1/4 FLARED FITTING
MI.204	TORNILLO M4x10 DIN7985 INOX A4.80	SCREW M4x10 DIN7985 INOX A4.80
PM.393	GRIFO DESAGÜE BARISTA T	DRAIN TAP BARISTA T
PM.499	CONJUNTO VOLUMETRICO BARISTA T D.8	FLOWMETER ASSEMBLY BARISTA T D.8
PM.513	CONJUNTO ELECTROVALVULA LLENADO BARISTA T FLEXO	FILL SOLENOID BARISTA T ASSEMBLY FLEX TUBE
PM.559	CONJUNTO VALVULA EXPANSION BARISTA T	EXPANSION VALVE ASSY. BARISTA T

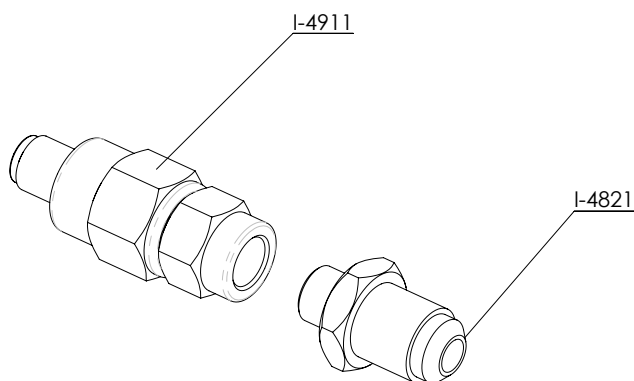
PM-593 - BT PLUS WATER DISTRIBUTOR ASSEMBLY



PM.418 - WATER DRAIN BARISTA T ASSY.

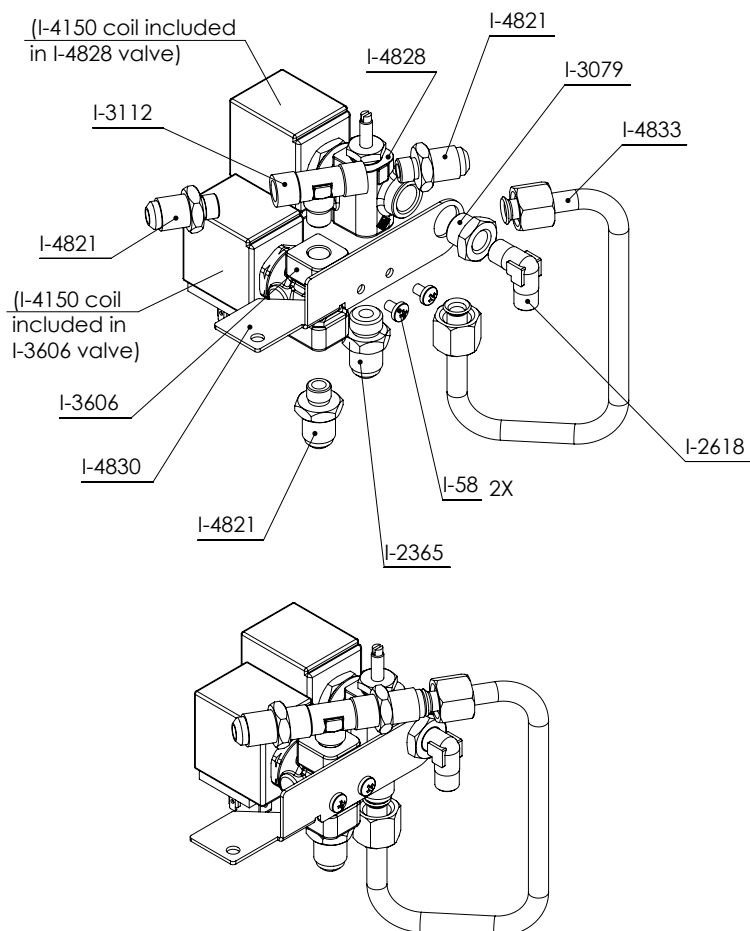


PM-590 - NON-RETURN VALVE ASSEMBLY BDT/BT

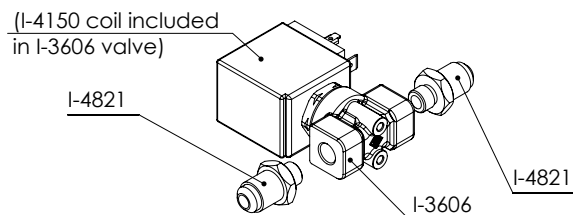


REF.	DESCRIPCIÓN	DESCRIPTION
I.2364	RACOR CONTADOR VOLUMETRICO 1/8"-1/8" INOX	FITTING VOLUMETRIC CONTROL 1/8"-1/8"
I.2617	CONECTOR RECTO 1/8 M-M INOX	STRAIGHT CONNECTOR 1/8 M-M INOX
I.3111	RACOR T H 1/8"G - H 1/8"G + M 1/8"R	FITTING TEE H 1/8"G - H 1/8"G + M 1/8"R
I.3205	CAZOLETA DESAGÜE	WATER DRAIN
I.3221	COLECTOR CAZOLETA DE DESAGÜE	WATER DRAIN COLLECTOR
I.4044	TORNILLO DIN 7981 2,9x9,5 INOX	SCREW DIN 7981 2,9x9,5 INOX
I.4549	PROTECTOR DESAGÜE BARISTA T	DRAIN PROTECTOR BARISTA T
I.4821	RACOR 1/8" - 1/4" ABOCARDADO	FITTING 1/8" - 1/4" FLARED
I.4911	ANTIRRETORNO DISTRIBUIDOR ENTRADA AGUA BARISTA T	BARISTA T WATER INLET DISTRIBUTOR 1 WAY VALVE
MI.204	TORNILLO CABEZA ALOMADA PHILLIPS DIN 7985 INOX A4 M 4x10	SCREW A4 M4x10 SS
PM.418	CAZOLETA DESAGÜE BARISTA T	WATER DRAIN BARISTA T
PM.590	CONJUNTO VALVULA ANTIRRETORNO BDT/BT	NON-RETURN VALVE ASSEMBLY BDT/BT
PM.593	CONJUNTO REPARTIDOR AGUA BT PLUS	BT PLUS WATER DISTRIBUTOR ASSEMBLY

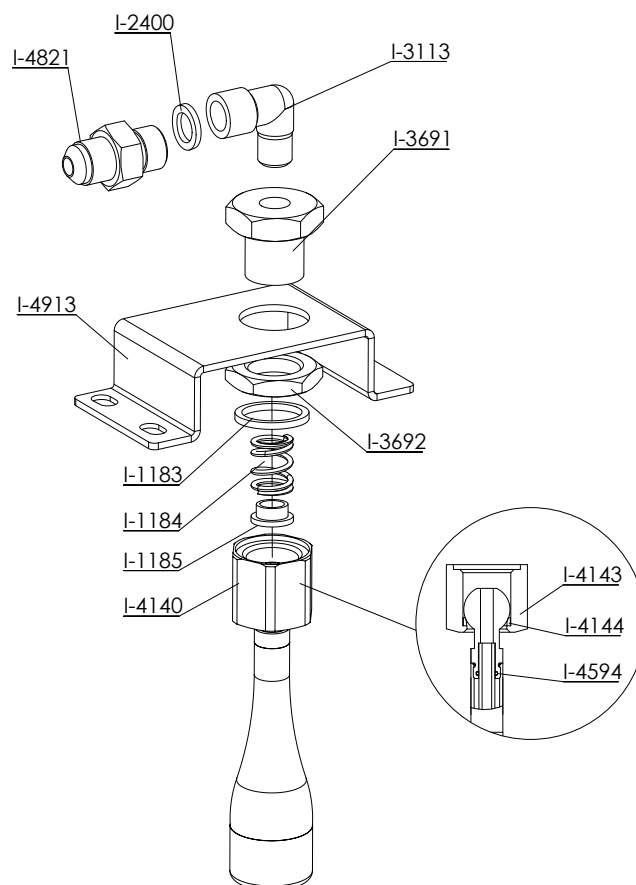
PM.514 - ADJUSTABLE SOLENOID VALVE MIXER ASSEMBLY BARISTA T PLUS



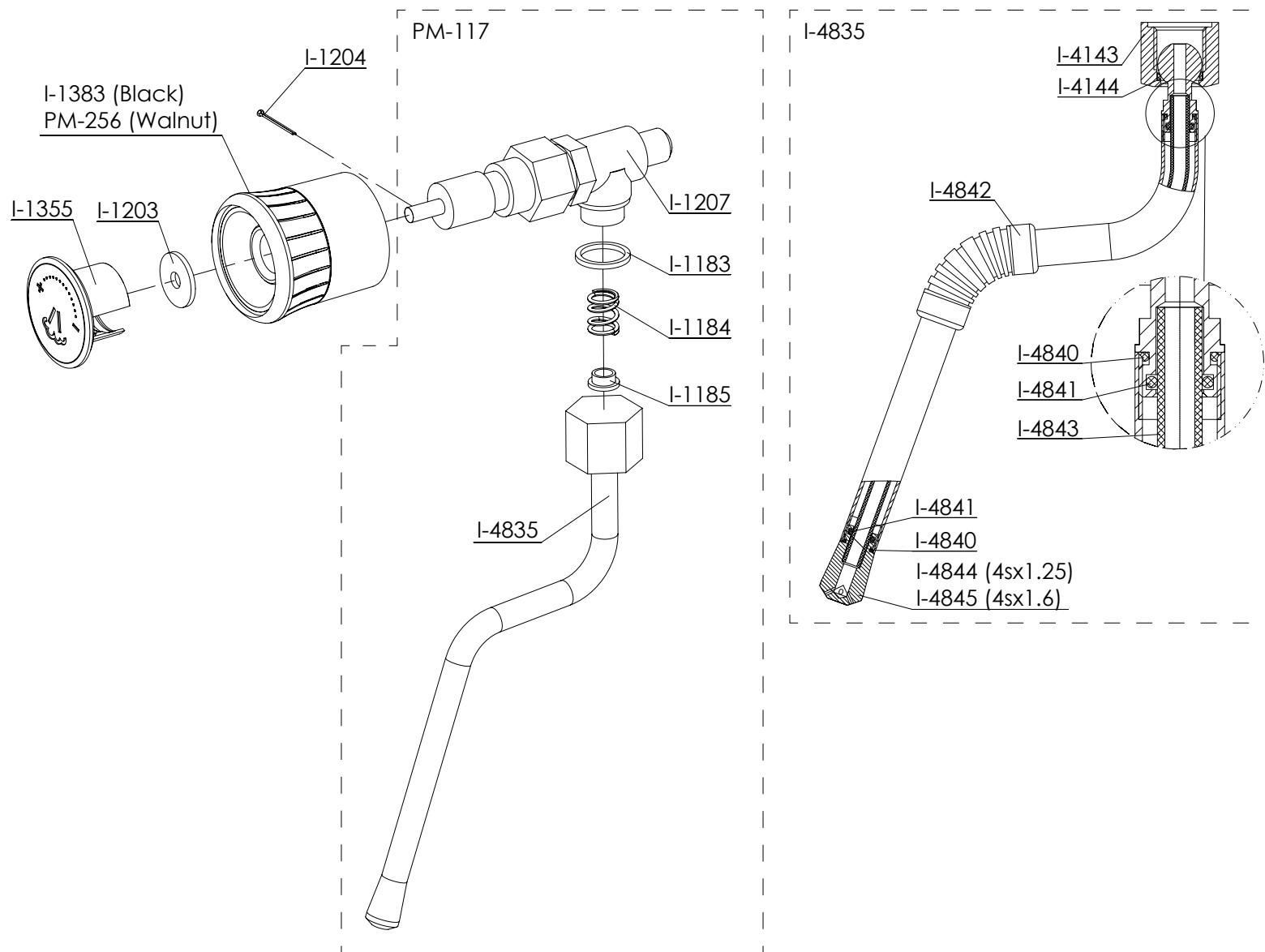
PM.409 - HOT WATER BARISTA T ONE



PM-481 - WATER OUTLET

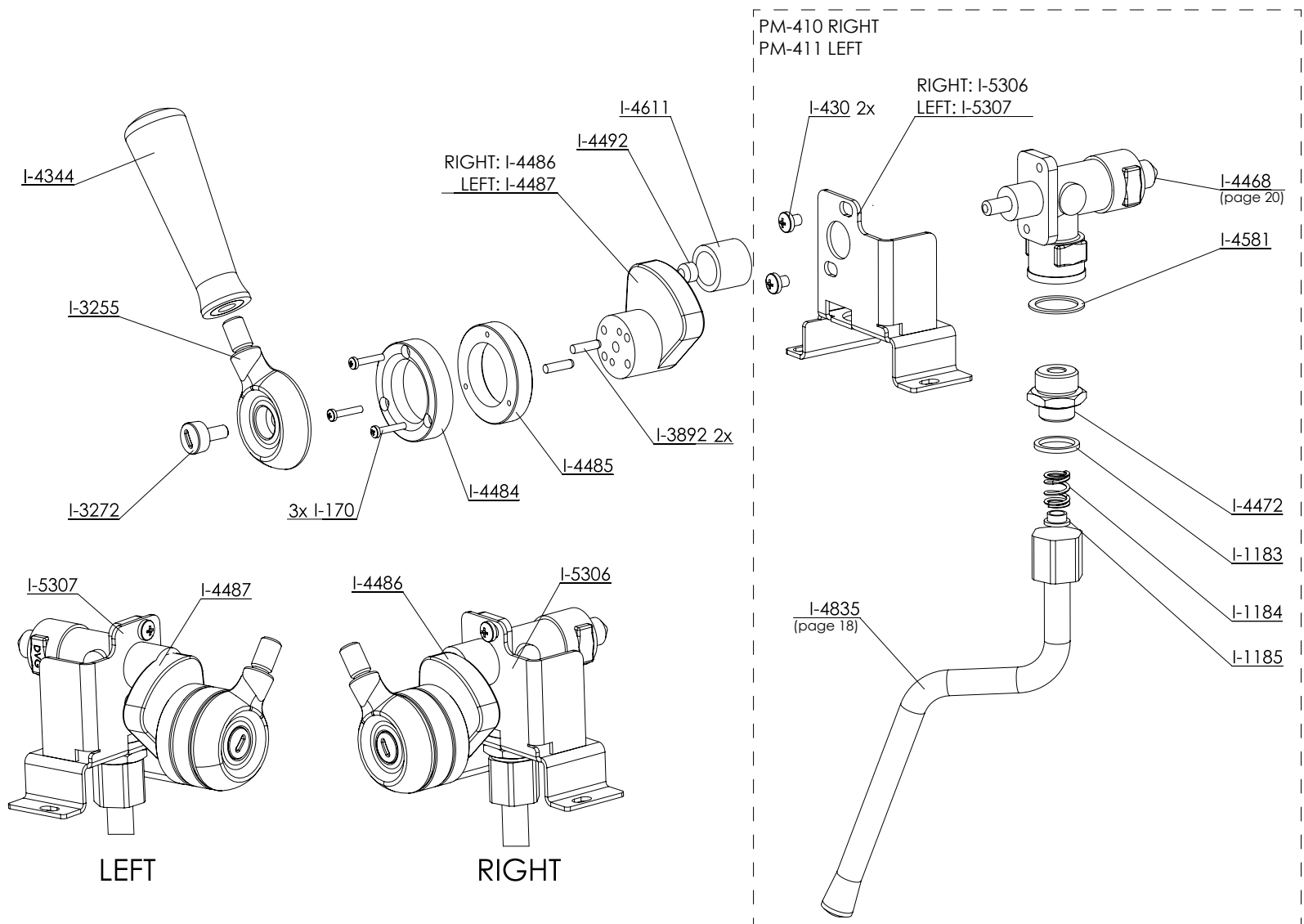


REF.	DESCRIPCIÓN	DESCRIPTION
I...58	TORNILLO BRIDA FUSIBLE INOX	SCREW
I.1183	ARANDELA GRIFO AGUA	WATER TAP WASHER
I.1184	MUELLE GRIFO SALIDA VAPOR.AGUA	STEAM . WATER OUTLET TAP SPRING
I.1185	GUIA MUELLE GRIFO AGUA	SPRING GUIDE WATER TAP
I.2365	RACOR CALDERA 1/4" INOX	FITTING BOILER 1/4"
I.2400	JUNTA COBRE 1/8"	COPPER JOINT 1/8"
I.2618	RACOR CODO 1/8 M.M INOX	ELBOW FITTING 1/8 M.M INOX (old I.90)
I.3079	REDUCCIÓN 1/4"M - 1/8"H INOX	REDUCER 1/4"M - 1/8"H INOX
I.3112	RACOR T M 1/8"R . H 1/8"G + H 1/8"G	FITTING TEE M 1/8"R . H 1/8"G + H 1/8"G
I.3113	RACOR CODO M 1/8"R . H 1/8"G INOX	FITTING ELBOW M 1/8"R . H 1/8"G
I.3606	ELECTROVALVULA AGUA CALIENTE 2/2 RUBY DN3.0mm 230V	SOLENOID HOTWATER BT 2/2 NC RUBY DN3.0mm G1/8 230V
I.3691	RACOR EV . SALIDA AGUA	RACORD SOLENOID . WATER EXIT
I.3692	TUERCA RACOR EV . SALIDA AGUA	RACORD NUT SOLENOID . WATER EXIT
I.4140	TUBO AGUA INOX ANTICALORICO PTFE	INOX WATER PIPE PTFE
I.4143	TUERCA TUBO VAPOR/AGUA PTFE	NUT STEAM/ WATER PTFE
I.4144	JUNTA TEFLON TUBO VAPOR/AGUA PTFE	TEFLON GASKET STEAM/ WATER PTFE
I.4150	BOBINA 16VA 230V/50Hz-240V/60Hz CE/UL/CSA (PROF)	COIL 16VA 230V/50Hz-240V/60Hz CE/UL/CSA (PROF)
I.4594	JUNTA TORICA TUBO VAPOR BARISTA D.10mm (D4,7x1,15)	O-RING STEAM TUBE BARISTA D.10mm (D4.7X1.15)
I.4821	RACOR 1/8" . 1/4" ABOCARDADO	FITTING 1/8" . 1/4" FLARED
I.4828	ELECTROVALVULA MEZCLADORA AGUA FRIA BARISTA T PLUS	COLD WATER MIXING SOLENOID VALVE BARISTA T PLUS
I.4830	SOPORTE VALVULA REGULADORA BARISTA T	REGULATING VALVE SUPPORT BARISTA T
I.4833	TUBO ELECTROVALVULA REGULADORA BARISTA T	REGULATOR SOLENOID PIPE BARISTA T
I.4913	SOPORTE VAPOR / AGUA BABY T	STEAM / WATER SUPPORT BABY T
PM.409	AGUA CALIENTE BARISTA T ONE	HOT WATER BARISTA T ONE
PM.481	CONJUNTO SALIDA AGUA BABY T	ASSEMBLY WATER EXIT BABY T
PM.514	CONJUNTO MIXER EV REGULABLE BARISTA T PLUS	ADJUSTABLE SOLENOID VALVE MIXER ASSEMBLY BARISTA T

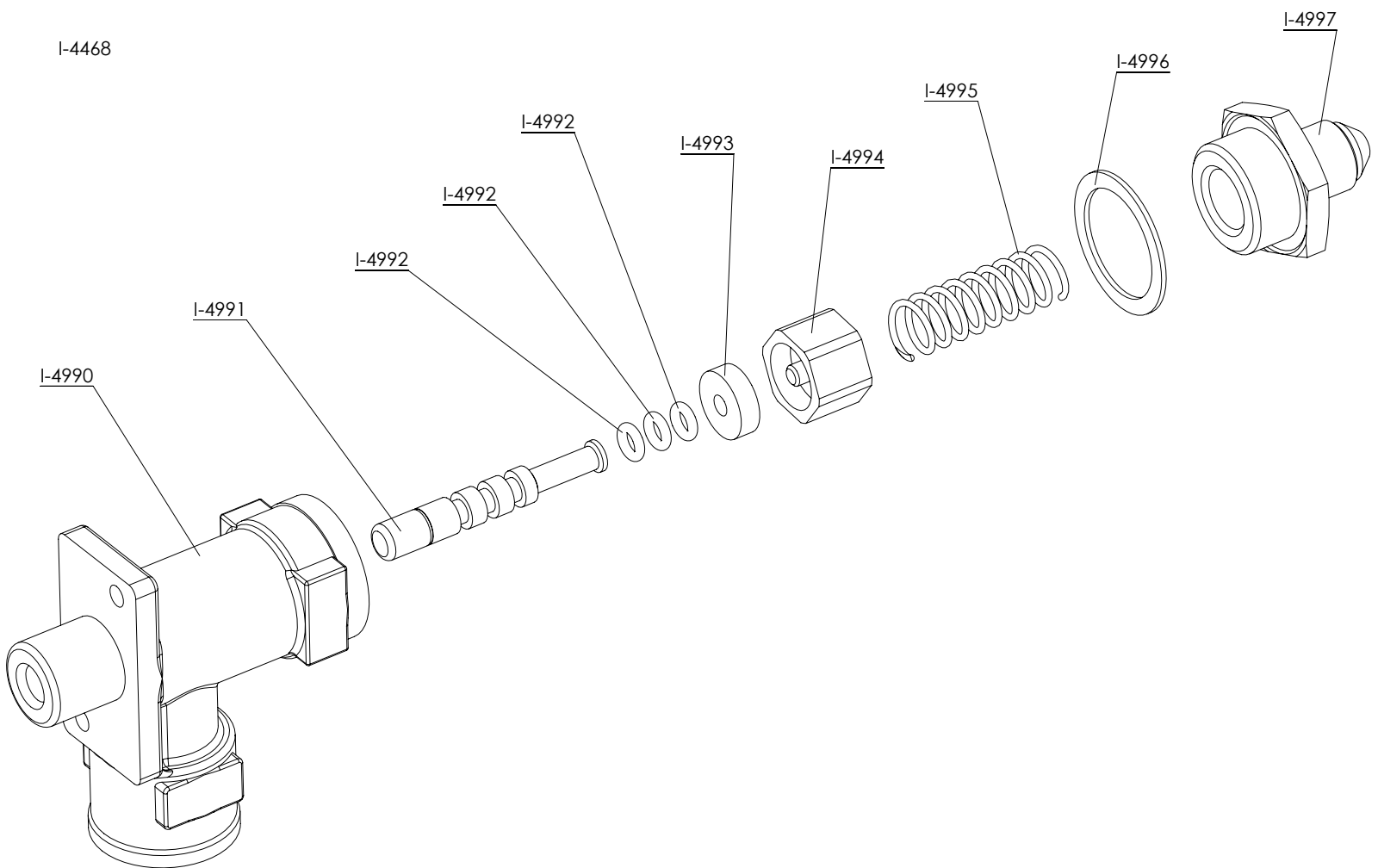


REF.	DESCRIPCIÓN
I.1183	ARANDELA GRIFO AGUA
I.1184	MUELLE GRIFO SALIDA VAPOR.AGUA
I.1185	GUIA MUELLE GRIFO AGUA
I.1203	ARANDELA GRIFO
I.1204	PASADOR GRIFO
I.1207	GRIFO VAPOR/AGUA
I.1355	TAPA POMO VAPOR
I.1383	POMO GRIFO VAPOR/AGUA BARISTA
I.4143	TUERCA TUBO VAPOR/AGUA PTFE
I.4144	JUNTA TEFLON TUBO VAPOR/AGUA PTFE
I.4835	TUBO VAPOR INOX BAR/BARISTA PTFE D.12mm
I.4840	JUNTA TORICA TUBO VAPOR BARISTA D.12mm (D6x1,5)
I.4841	JUNTA TORICA TUBO VAPOR BARISTA D.12mm (D5x1,8)
I.4842	PROTECTOR TUBO VAPOR INOX BARISTA D.12mm
I.4843	TUBO PTFE VAPOR INOX BARISTA D.12mm (6x4x210)
I.4844	SALIDA VAPOR INOX BARISTA PTFE D.12mm (4xD1.1.25)
I.4845	SALIDA VAPOR INOX BARISTA PTFE D.12mm (4xD1.6)
PM.117	GRIFO VAPOR BARISTA
PM.256	POMO GRIFO MADERA BARISTA COMPLETO NOGAL

DESCRIPTION
WATER TAP WASHER
STEAM . WATER OUTLET TAP SPRING
SPRING GUIDE WATER TAP
TAP COPPER
TAP PIN
STEAM . WATER TAP
STEAM KNOB LID
BARISTA STEAM/WATER TAP
NUT STEAM/ WATER PTFE
TEFLON GASKET STEAM/ WATER PTFE
SS STEAM PIPE BAR/ BARISTA T PTFE D.12mm
O.RING STEAM TUBE BARISTA D.12mm (D6x1,5)
O.RING STEAM TUBE BARISTA D.12mm (D5x1,8)
STEAM TUBE PROTECTOR BARISTA D.12mm
PIPE PTFE STEAM INOX BARISTA D.12mm (6x4x210)
STEAM OUTLET INOX BARISTA PTFE D.12mm (4x1.25)
STEAM TIP D.12 mm (4 x D 1.6)
TAP STEAM BARISTA
SET TAP HANDLE WALNUT WOOD BARISTA



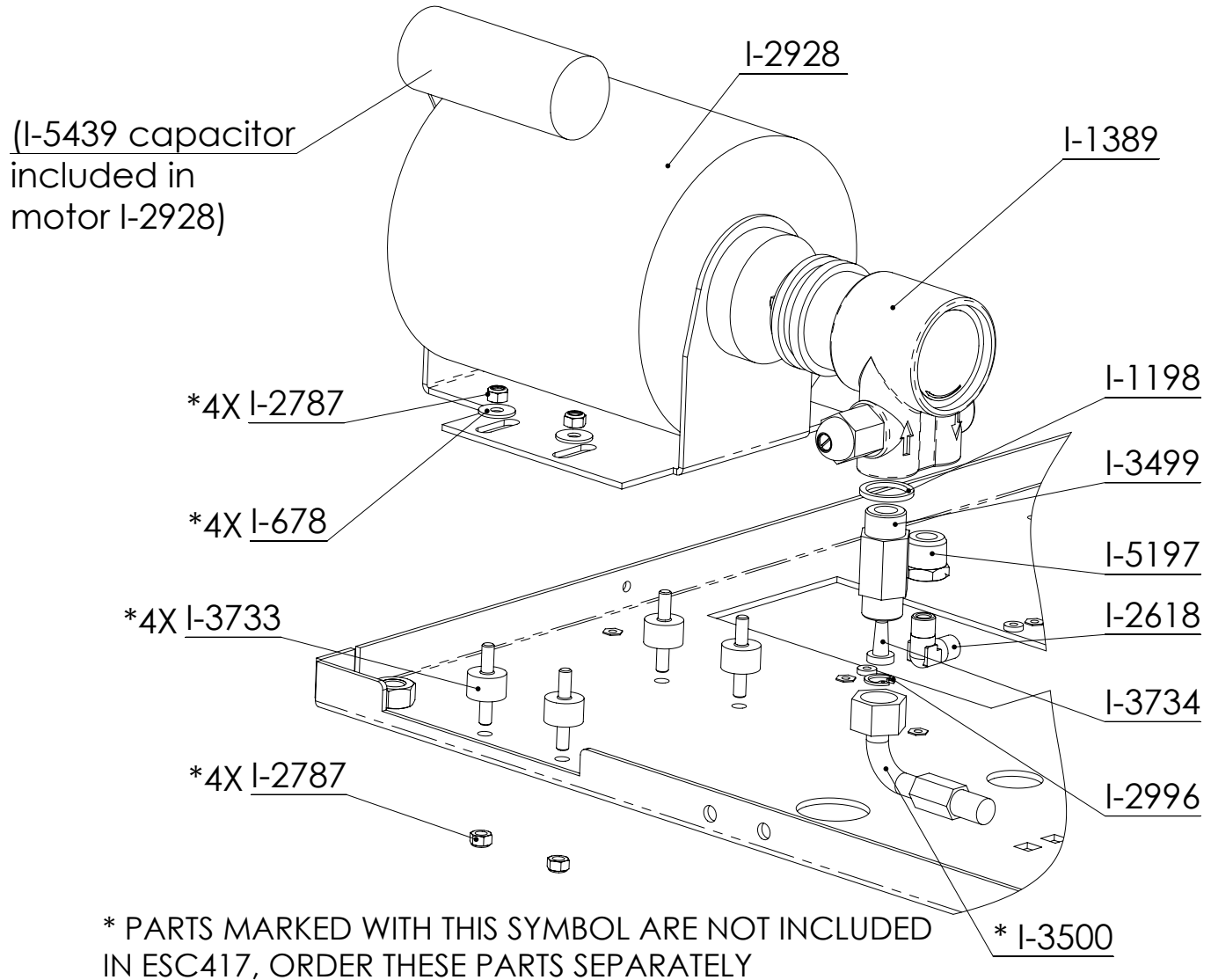
REF.	DESCRIPCIÓN	DESCRIPTION
I..170	TORNILLO FIJACION MICRO INOX	SCREW
I..430	TORNILLO M5x6 INOX	SCREW
I.1183	ARANDELA GRIFO AGUA	WATER TAP WASHER
I.1184	MUELLE GRIFO SALIDA VAPOR.AGUA	STEAM . WATER OUTLET TAP SPRING
I.1185	GUIA MUELLE GRIFO AGUA	SPRING GUIDE WATER TAP
I.3255	MANETA GRIFO BIG DREAM	BIG DREAM TAP HANDLE
I.3272	TORNILLO GRIFO VAPOR BIG DREAM/BARISTA T PLUS	SCREW TAP STEAM
I.3892	PASADOR DIN 7 4x16 INOX A2	PIN DIN 7 4x16 INOX A2
I.4344	POMO GRIFO VAPOR BIG DREAM PLUS / BARISTA T PLUS	STEAM TAP HANDLE BIG DREAM PUS / BARISTA T PLUS
I.4468	GRIFO LATERAL BARISTA T PLUS	BARISTA T PLUS SIDE TAP
I.4472	CASQUILLO MONTAJE GRIFO BARISTA T PLUS	TAP ASSY FERRULE BARISTA T PLUS
I.4484	ARO EXTERIOR GRIFO BARISTA T PLUS	OUTER RING TAP BARISTA T PLUS
I.4485	ARO INTERIOR GRIFO BARISTA T PLUS	INNER RING TAP BARISTA T PLUS
I.4486	LEVA DERECHA GRIFO BARISTA T PLUS	RIGHT TAP CAP BARISTA T PLUS
I.4487	LEVA IZQUIERDA GRIFO BARISTA T PLUS	LEFT TAP CAM BARISTA T PLUS
I.4492	PROTECTOR PUNTA GRIFO BARISTA T PLUS	TAP END PROTECTOR BARISTA T PLUS
I.4581	JUNTA 26X20X1 PTFE	GASKET 26X20X1 PTFE
I.4611	CASQUILLO GRIFO VAPOR BARISTA T	STEAM TAP SOCKET BARISTA T
I.4835	TUBO VAPOR INOX BAR/BARISTA PTFE D.12mm	SS STEAM PIPE BAR/ BARISTA T PTFE D.12mm
I.5306	SOPORTE GRIFO DERECHO PLUS	RIGHT TAP SUPPORT PLUS
I.5307	SOPORTE GRIFO IZQUIERDO PLUS	LEFT TAP SUPPORT PLUS
PM.410	CJTO VAPOR DERECHO BARISTA T PLUS	RIGHT STEAM BARISTA T PLUS
PM.411	CJTO VAPOR IZQUIERDO BARISTA T PLUS	LEFT STEAM BARISTA T PLUS



REF.	DESCRIPCIÓN
I.4468	GRIFO LATERAL BARISTA T PLUS
I.4990	CUERPO GRIFO I-4468
I.4991	EJE GRIFO I-4991
I.4992	TORICA EJE GRIFO I-4468
I.4993	TACO CIERRE GRIFO I-4468
I.4994	PORTA JUNTAS GRIFO I-4468
I.4995	MUELLE GRIFO I-4468
I.4996	JUNTA COBRE GRIFO I-4468
I.4997	RACOR GRIFO I-4468

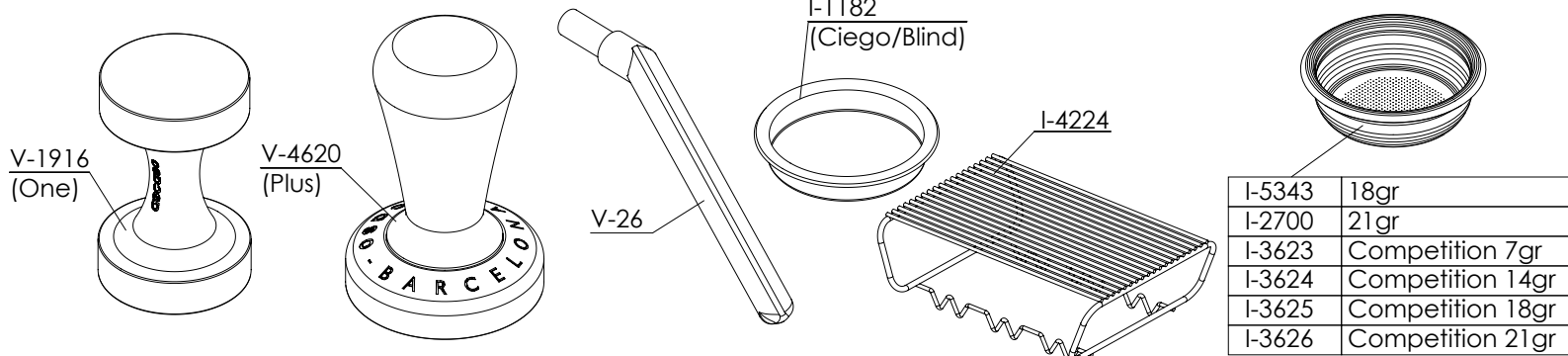
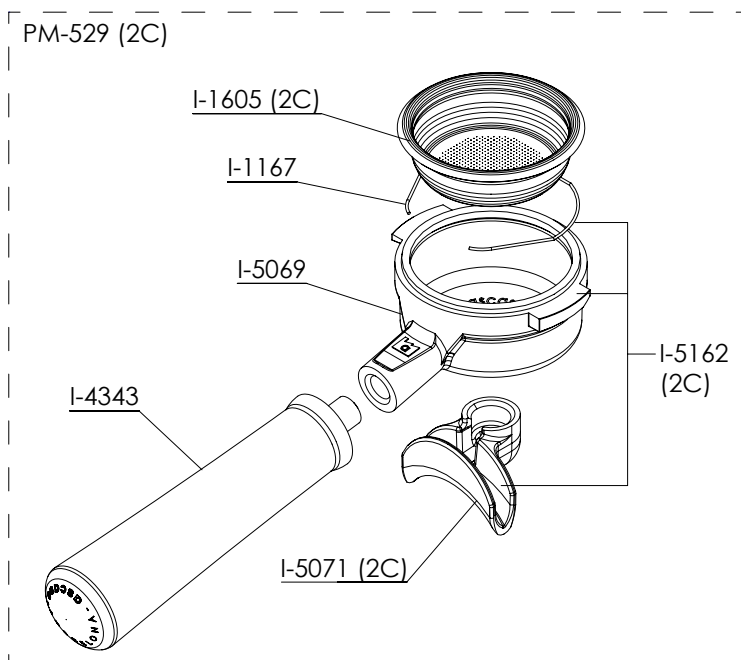
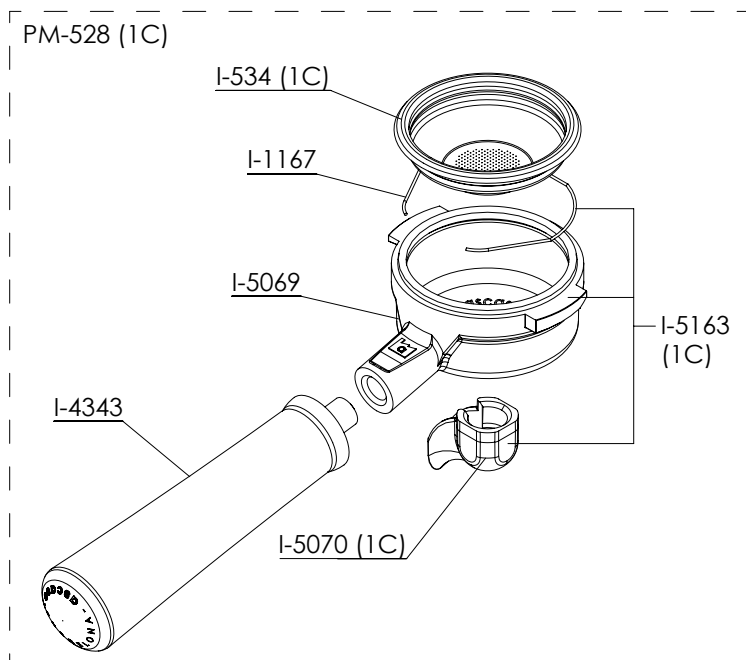
DESCRIPTION
BARISTA T PLUS SIDE TAP
BODY TAP I-4468
TAP AXLE I-4468
O-RING TAP AXLE I-4468
TAP CHANGER I-4468
TAP HOLDER I-4468
SPRING TAP I-4468
COPPER TAP JOINT I-4468
FITTING TAP I-4468

PM-417

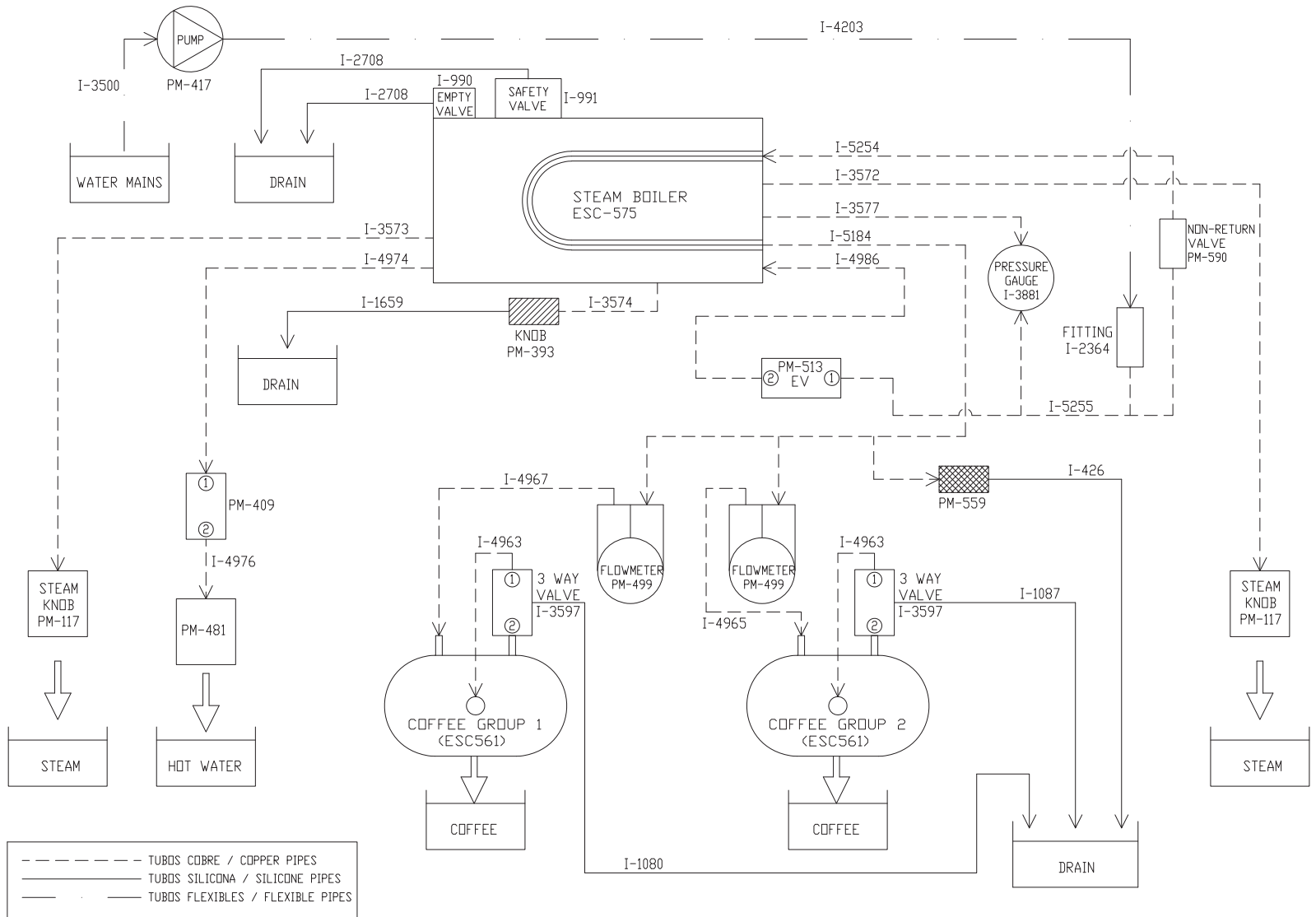


* PARTS MARKED WITH THIS SYMBOL ARE NOT INCLUDED
IN ESC417, ORDER THESE PARTS SEPARATELY

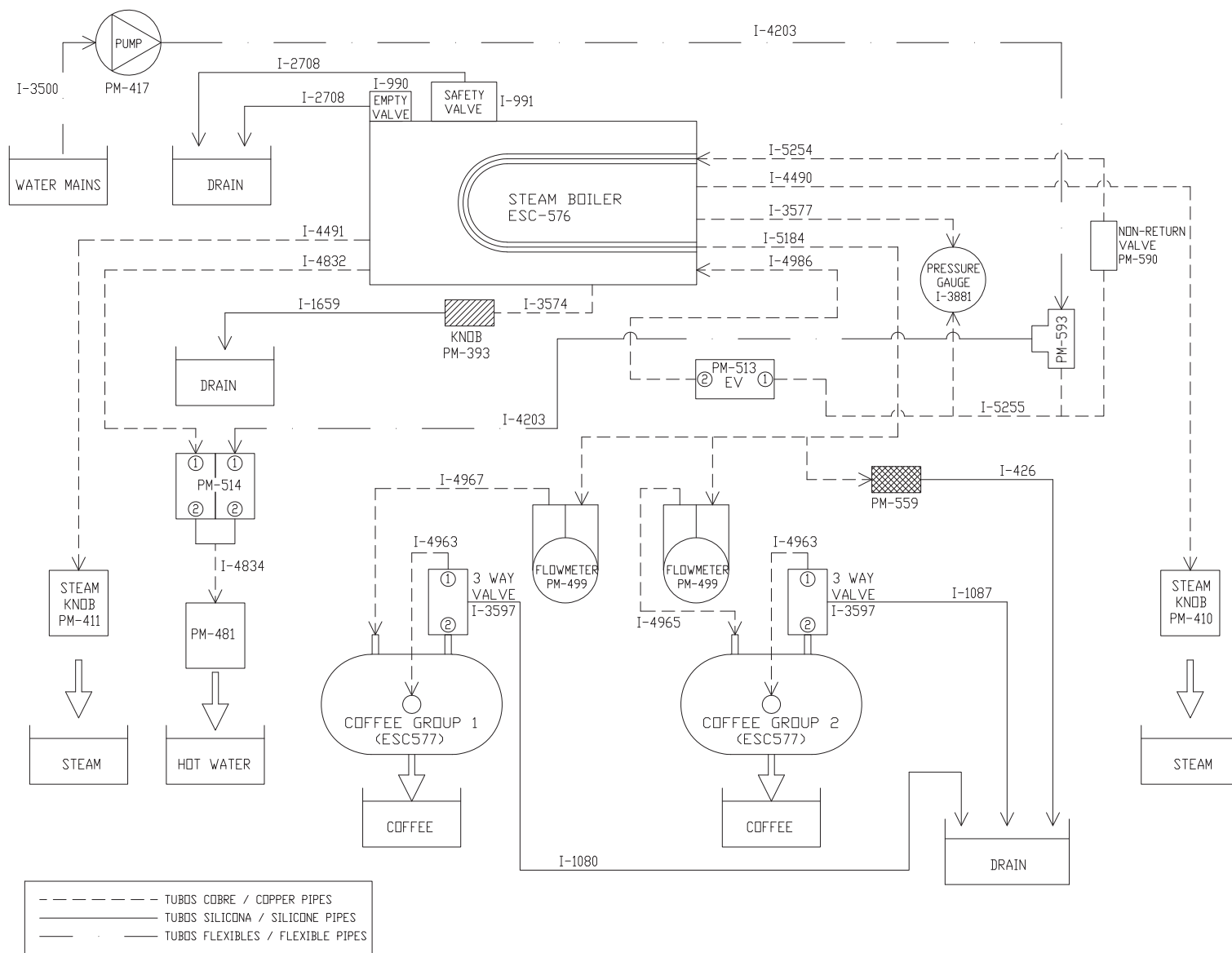
REF.	DESCRIPCIÓN	DESCRIPTION
I..678	ARANDELA DIN9021 M5 INOX	WASHER DIN9021 M5 INOX
I.1198	JUNTA COBRE 3/8"	WASHER 3/8"
I.1389	BOMBA ABRAZADERA INOX PROCON 200LTS	PROCON CLASP PUMP
I.2618	RACOR CODO 1/8 M.M INOX	ELBOW FITTING 1/8M.M NOX
I.2787	TUERCA AUTOBLOCANTE D985 A2 M5 INOX	LOCK NUT D85 A2 M5
I.2928	MOTOR RPM 165W 220V	ENGINE RPM 165W 220V
I.2996	ARANDELA SEEGER DIN472 Ø12	SEEGER DIN472 Ø12
I.3499	SUPLEMENTO RACOR BOMBA	SEPARATOR PUMP FITTING
I.3500	TUBO FLEXIBLE ENTRADA AGUA CON CODO NSF	INLET WATER FLEXIBLE ELBOW
I.3733	SILENT BLOCK 10X15	SILENT BLOCK 10X15
I.3734	FILTRO INOX	FILTER
I.5197	REDUCCION CONICA 3/8 - 1/8	FITTING 3/8 - 1/8
I.5439	CONDENSADOR 10 uF UL S2 MOTOR I.2928	CAPACITOR 10 MICROFARADS UL S2 MOTOR I.2928
PM.417	CONJUNTO MOTOR BARISTA T 220V	ENSEMBLE ENGINE BARISTA T 220V



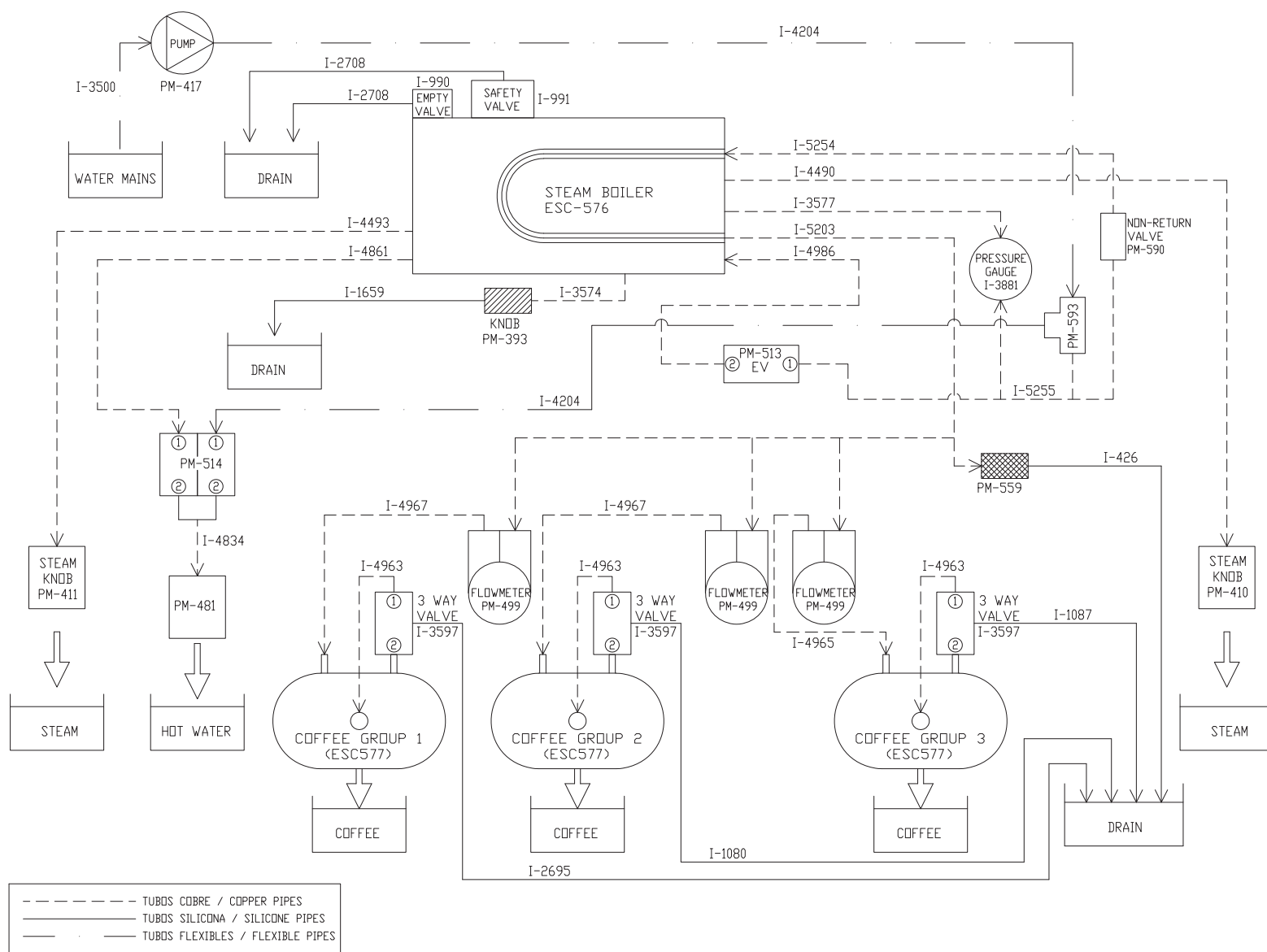
REF.	DESCRIPCIÓN	DESCRIPTION
I..534	CACILLO 1 CAFE PROFESIONAL	PROFESSIONAL 1 COFFEE FILTER
I.1167	ARO RETENCION FILTRO PROF. (D.1MM)	PROF FILTER SPRING
I.1182	CACILLO CIEGO PROF/BARISTA	PROF BLIND FILTER
I.1605	CACILLO 2 CAFE	2 COFFEES FILTER
I.2700	CACILLO 3 CAFES 21 GRAMOS	FILTER 3C 21GR
I.3623	CACILLO COMPETICION 7g	COMPETITION FILTER 7g
I.3624	CACILLO COMPETICION 14g	COMPETITION FILTER 14g
I.3625	CACILLO COMPETICION 18g	COMPETITION FILTER 18g
I.3626	CACILLO COMPETICION 21g	COMPETITION FILTER 21g
I.4224	ALZA RAISED BIG DREAM	SUPPLEMENT RAISED BID DREAM
I.4343	MANGO PORTA MADERA BARISTA T/ BIG DREAM PLUS NOGAL	SET HANDLE WALNUT WOOD BARISTA / BIG DREAM PLUS
I.5069	CUERPO PORTAFILTRO INOX	EXTRA DEEP INCLINED FILTER HOLDER BODY M12 STAINLESS
I.5070	SALIDA 1 CAFE ABIERTA INOX	OUTPUT 1 OPEN STAINLESS STEEL COFFEE
I.5071	SALIDA 2 CAFES ABIERTA INOX	OUTPUT 2 OPEN STAINLESS STEEL COFFEE
I.5162	PORTAFILTRO M12 INCLINADO EXTRA PROFUNDO INOX. 2 CAFE	2 COFFEE EXTRA DEEP INCLINED FILTER HOLDER M12 STAINLESS
I.5163	PORTAFILTRO M12 INCLINADO EXTRA PROFUNDO INOX. 1 CAFE	1 COFFEE EXTRA DEEP INCLINED FILTER HOLDER M12 STAINLESS
I.5343	CACILLO 2 CAFES 18 GRAMOS	FILTER 2 COFFEE 18 GRAMS
PM.528	PORTAFILTRO INOX. COMPLETO NOGAL 1 CAFE	1 COFFEE STAINLESS COMPLETE FILTERHOLDER WALNUT WOOD
PM.529	PORTAFILTRO INOX. COMPLETO NOGAL 2 CAFES	2 COFFEE STAINLESS COMPLETE FILTERHOLDER WALNUT WOOD
V...26	CEPILLO DUCHA	SHOWER NYLON BRUSH
V.1916	PRENSA CAFE ALUMINIO 57/58mm	ALUMINUM COFFEE TAMPER
V.4620	PRENSA MADERA NOGAL BASE INOX	TAMPER WALNUT WOOD + STAINLESS STEEL BASE



REF.	DESCRIPCIÓN	DESCRIPTION
ESC561	GRUPO INTERCAMBIADOR BARISTA T ONE	THERMOBLOCK BARISTA T ONE
ESC575	CALDERA VAPOR BARISTA T ONE ETL 2GR/3GR 230V	BOILER BARISTA T ONE ETL 2GR/3GR 230V
I..426	TUBO SILICONA 5x8 (370mm)	SILICONE PIPE 5x8 (370mm)
I..990	VALVULA VACIO BAR 1/4	BAR EMPTY SOLENOID
I..991	VALVULA DE SEGURIDAD BAR	SAFETY BAR VALVE
I.1080	TUBO SILICONA 5X8 (500mm)	SILICONE PIPE 5X8 (500mm)
I.1087	TUBO SILICONA 5X8 (300mm)	SILICONE PIPE 5X8 (300mm)
I.1659	TUBO SILICONA 7X11 (300mm)	SILICONE D=13X10 L=50 MM PIPE
I.2364	RACOR CONTADOR VOLUMETRICO 1/8"-1/8" INOX	FITTING VOLUMETRIC CONTROL 1/8"-1/8"
I.2708	TUBO SILICONA 7x11x690	SILICONE PIPE 7x11x690
I.3500	TUBO FLEXIBLE ENTRADA AGUA CON CODO NSF	INLET WATER FLEXIBLE ELBOW
I.3572	TUBO VAPOR DERECHO BARISTA T ZERO/ONE	RIGHT STEAM PIPE BARISTA T ZERO/ONE
I.3573	TUBO VAPOR IZQUIERDO BARISTA T ZERO/ONE 2GR	LEFT STEAM PIPE BARISTA T ZERO/ONE 2GR
I.3574	TUBO VACIADO CALDERA BARISTA T	BOILER EMPTYING PIPE BARISTA T
I.3577	TUBO MANOMETRO VAPOR BARISTA T	MANOMETER PIPE STEAM BARISTA T
I.3597	ELECTROVALVULA GRUPO BT 3/2 NC RUBY DN1.5mm 230V	GROUP SOLENOID BT 3/2 NC RUBY DN1.5mm G1/8 230V
I.3881	MANOMETRO DOBLE BARISTA 2016	DOUBLE MANOMETER BARISTA 2016
I.4203	FLEXO AGUA FRIA 1/8 H 2 GR 800MM BD/BT	FLEX COLD WATER 1/8 H 2GR (800MM)
I.4963	TUBO SALIDA GRUPO BARISTA T D.8	GROUP EXIT PIPE BARISTA T D.8
I.4965	TUBO ENTRADA GRUPO 1 BARISTA T D.8	GROUP 1 ENTRY PIPE BARISTA T D.8
I.4967	TUBO ENTRADA GRUPO 2 BARISTA T D.8	GROUP 2 ENTRY PIPE BARISTA T D.8
I.4974	TUBO AGUA CALIENTE BARISTA T ONE 2GR D.8	HOT WATER PIPE BARISTA T ONE 2GR D.8
I.4976	TUBO AGUA MEZCLADA BARISTA T ONE 2GR/3GR D.8	MIXED WATER PIPE BARISTA T ONE 2GR/3GR D.8
I.4986	TUBO SALIDA ELECTROVALVULA LLENADO BARISTA T D.8	FILL SOLENOID OUTLET PIPE BARISTA T D.8
I.5184	TUBO VOLUMETRICO SOLDADO BARISTA T 2GR	FLOWMETER PIPE BARISTA T 2GR
I.5254	TUBO ENTRADA INTERCAMBIADOR BT	BT EXCHANGER INLET PIPE
I.5255	TUBO REPARTIDOR AGUA BDT / BT	WATER DISTRIBUTION PIPE BDT
PM.117	GRIFO VAPOR BARISTA	TAP STEAM BARISTA
PM.393	GRIFO DESAGÜE BARISTA T	DRAIN TAP BARISTA T
PM.409	ELECTROVALVULA AGUA CALIENTE BARISTA T ONE COMPLETA	HOT WATER BARISTA T ONE
PM.417	CONJUNTO MOTOR BARISTA T 220V	ASSEMBLY ENGINE BARISTA T 220V
PM.481	CONJUNTO SALIDA AGUA BABY T	ASSEMBLY WATER EXIT BABY T
PM.499	CONJUNTO VOLUMETRICO BARISTA T D.8	FLOWMETER ASSEMBLY BARISTA T D.8
PM.513	CONJUNTO ELECTROVALVULA LLENADO BARISTA T FLEXO	FILL SOLENOID BARISTA T ASEMBLY FLEX TUBE
PM.559	CONJUNTO VALVULA EXPANSION BARISTA T	EXPANSION VALVE ASSY. BARISTA T
PM.590	CONJUNTO VALVULA ANTIRRETORNO BDT/BT	NON-RETURN VALVE ASSEMBLY BDT/BT



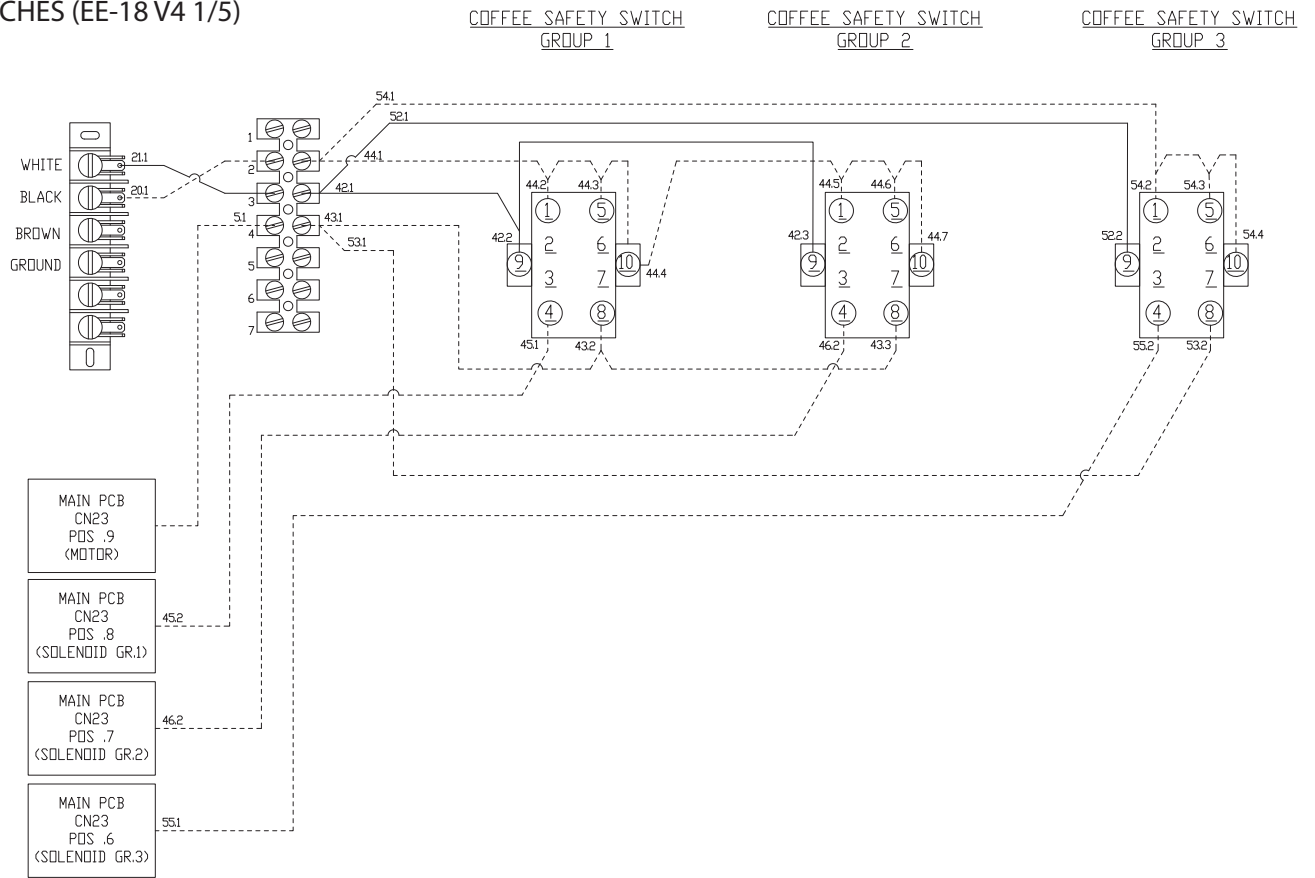
REF.	DESCRIPCIÓN	DESCRIPTION
ESC576	CALDERA VAPOR BARISTA T PLUS ETL 2GR/3GR 230V	BOILER BARISTA T PLUS ETL 2GR/3GR 230V
ESC577	GRUPO INTERCAMBIADOR BARISTA T PLUS ETL 230V	THERMOBLOCK BARISTA T PLUS ETL 230V
I.426	TUBO SILICONA 5x8 (370mm)	SILICONE PIPE 5x8 (370mm)
I.990	VALVULA VACIO BAR 1/4	BAR EMPTY SOLENOID
I.991	VALVULA DE SEGURIDAD BAR	SAFETY BAR VALVE
I.1080	TUBO SILICONA 5X8 (500mm)	SILICONE PIPE 5X8 (500mm)
I.1087	TUBO SILICONA 5X8 (300mm)	SILICONE PIPE 5X8 (300mm)
I.1659	TUBO SILICONA 7X11 (300mm)	SILICONE D=13X10 L=50 MM PIPE
I.2708	TUBO SILICONA 7x11x690	SILICONE PIPE 7x11x690
I.3500	TUBO FLEXIBLE ENTRADA AGUA CON CODO NSF	INLET WATER FLEXIBLE ELBOW
I.3574	TUBO VACIADO CALDERA BARISTA T	BOILER EMPTYING PIPE BARISTA T
I.3577	TUBO MANOMETRO VAPOR BARISTA T	MANOMETER PIPE STEAM BARISTA T
I.3597	ELECTROVALVULA GRUPO BT 3/2 NC RUBY DN1.5mm 230V	GROUP SOLENOID BT 3/2 NC RUBY DN1.5mm G1/8 230V
I.3881	MANOMETRO DOBLE BARISTA 2016	DOUBLE MANOMETER BARISTA 2016
I.4203	FLEXP AGUA FRIA 1/8 H 2 GR 800MM BD/BT	FLEX COLD WATER 1/8 H 2GR (800MM)
I.4490	TUBO VAPOR DERECHO BARISTA T PLUS	RIGHT STEAM PIPE BARISTA T PLUS
I.4491	TUBO VAPOR IZQUIERDO BARISTA T PLUS 2GR	LEFT STEAM PIPE BARISTA T PLUS 2GR
I.4832	TUBO CALDERA A REGULADOR AGUA CALIENTE BARISTA T 2 GR	BOILER TO REGULATOR ASSY PIPE BARISTA T 2 GROUPS
I.4834	TUBO T REGULADORA A GRIFO BARISTA T	REGULATOR TO TAP PIPE BARISTA T
I.4963	TUBO SALIDA GRUPO BARISTA T D.8	GROUP EXIT PIPE BARISTA T D.8
I.4965	TUBO ENTRADA GRUPO 1 BARISTA T D.8	GROUP 1 ENTRY PIPE BARISTA T D.8
I.4967	TUBO ENTRADA GRUPO 2 BARISTA T D.8	GROUP 2 ENTRY PIPE BARISTA T D.8
I.4986	TUBO SALIDA ELECTROVALVULA LLENADO BARISTA T D.8	FILL SOLENOID OUTLET PIPE BARISTA T D.8
I.5184	TUBO VOLUMETRICO SOLDADO BARISTA T 2GR	FLOWMETER PIPE BARISTA T 2GR
I.5254	TUBO ENTRADA INTERCAMBIADOR BT	BT EXCHANGER INLET PIPE
I.5255	TUBO REPARTIDOR AGUA BDT / BT	WATER DISTRIBUTION PIPE BDT
PM.393	GRIFO DESAGÜE BARISTA T	DRAIN TAP BARISTA T
PM.410	VAPOR DERECHO BARISTA T PLUS	RIGHT STEAM BARISTA T PLUS
PM.411	VAPOR IZQUIERDO BARISTA T PLUS	LEFT STEAM BARISTA T PLUS
PM.417	CONJUNTO MOTOR BARISTA T 220V	ASSEMBLY ENGINE BARISTA T 220V
PM.481	CONJUNTO SALIDA AGUA BABY T	ASSEMBLY WATER EXIT BABY T
PM.499	CONJUNTO VOLUMETRICO BARISTA T D.8	FLOWMETER ASSEMBLY BARISTA T D.8
PM.513	CONJUNTO ELECTROVALVULA LLENADO BARISTA T FLEXP	FILL SOLENOID BARISTA T ASEMBLY FLEX TUBE
PM.514	CONJUNTO MIXER EV REGULABLE BARISTA T PLUS	ADJUSTABLE SOLENOID VALVE MIXER ASSEMBLY BARISTA T PLUS
PM.559	CONJUNTO VALVULA EXPANSION BARISTA T	EXPANSION VALVE ASSY. BARISTA T
PM.590	CONJUNTO VALVULA ANTIRRETORNO BDT/BT	NON-RETURN VALVE ASSEMBLY BDT/BT
PM.593	CONJUNTO REPARTIDOR AGUA BT PLUS	CONJUNTO REPARTIDOR AGUA BT PLUS



REF.	DESCRIPCIÓN
ESC576	CALDERA VAPOR BARISTA T PLUS ETL 2GR/3GR 230V
ESC577	GRUPO INTERCAMBIADOR BARISTA T PLUS ETL 230V
I..426	TUBO SILICONA 5x8 (370mm)
I..990	VALVULA VACIO BAR 1/4
I..991	VALVULA DE SEGURIDAD BAR
I.1080	TUBO SILICONA 5X8 (500mm)
I.1087	TUBO SILICONA 5X8 (300mm)
I.1659	TUBO SILICONA 7X11 (300mm)
I.2695	TUBO SILICONA 5x8 (750mm)
I.2708	TUBO SILICONA 7x11x690
I.3500	TUBO FLEXIBLE ENTRADA AGUA CON CODO NSF
I.3574	TUBO VACIADO CALDERA BARISTA T
I.3577	TUBO MANOMETRO VAPOR BARISTA T
I.3597	ELECTROVALVULA GRUPO BT 3/2 NC RUBY DN1.5mm 230V
I.3881	MANOMETRO DOBLE BARISTA 2016
I.4204	FLEXO AGUA FRIA 1/8 H 3 GR 1000MM BIG DREAM
I.4490	TUBO VAPOR DERECHO BARISTA T PLUS
I.4493	TUBO VAPOR IZQUIERDO BARISTA T PLUS 3GR
I.4834	TUBO T REGULADORA A GRIFO BARISTA T
I.4861	TUBO CALDERA A CONJUNTO REGULADOR BARISTA T 3 GRUPOS
I.4963	TUBO SALIDA GRUPO BARISTA T D.8
I.4965	TUBO ENTRADA GRUPO 1 BARISTA T D.8
I.4967	TUBO ENTRADA GRUPO 2 BARISTA T D.8
I.4986	TUBO SALIDA ELECTROVALVULA LLENADO BARISTA T D.8
I.5203	TUBO VOLUMETRICOS SOLDADO BT 3GR
I.5254	TUBO ENTRADA INTERCAMBIADOR BT
I.5255	TUBO REPARTIDOR AGUA BDT / BT
PM.393	GRIFO DESAGÜE BARISTA T
PM.410	VAPOR DERECHO BARISTA T PLUS
PM.411	VAPOR IZQUIERDO BARISTA T PLUS
PM.417	CONJUNTO MOTOR BARISTA T 220V
PM.481	CONJUNTO SALIDA AGUA BABY T
PM.499	CONJUNTO VOLUMETRICO BARISTA T D.8
PM.513	CONJUNTO ELECTROVALVULA LLENADO BARISTA T FLEXO
PM.514	CONJUNTO MIXER EV REGULABLE BARISTA T PLUS
PM.559	CONJUNTO VALVULA EXPANSION BARISTA T
PM.590	CONJUNTO VALVULA ANTIRRETORNO BDT/BT
PM.593	CONJUNTO REPARTIDOR AGUA BT PLUS

DESCRIPTION
BOILER BARISTA T PLUS ETL 2GR/3GR 230V
THERMOBLOCK BARISTA T PLUS ETL 230V
SILICONE PIPE 5x8 (370mm)
BAR EMPTY SOLENOID
SAFETY BAR VALVE
SILICONE PIPE 5X8 (500mm)
SILICONE PIPE 5X8 (300mm)
SILICONE D=13X10 L=50 MM PIPE
SILICONE PIPE 5x8 (750mm)
SILICONE PIPE 7x11x690
INLET WATER FLEXIBLE ELBOW
BOILER EMPTYING PIPE BARISTA T
MANOMETER PIPE STEAM BARISTA T
GROUP SOLENOID BT 3/2 NC RUBY DN1.5mm G1/8 230V
DOUBLE MANOMETER BARISTA 2016
FLEX COLD WATER 1/8 H 3GR (1000MM)
RIGHT STEAM PIPE BARISTA T PLUS
LEFT STEAM PIPE BARISTA T PLUS 3GR
REGULATOR TO TAP PIPE BARISTA T
BOILER TO REGULATOR ASSY PIPE BARISTA T 3 GROUPS
GROUP EXIT PIPE BARISTA T D.8
GROUP 1 ENTRY PIPE BARISTA T D.8
GROUP 2 ENTRY PIPE BARISTA T D.8
FILL SOLENOID OUTLET PIPE BARISTA T D.8
WELDED VOLUMETRIC TUBE BT 3GR
BT EXCHANGER INLET PIPE
WATER DISTRIBUTION PIPE BDT
DRAIN TAP BARISTA T
RIGHT STEAM BARISTA T PLUS
LEFT STEAM BARISTA T PLUS
ASSEMBLY ENGINE BARISTA T 220V
ASSEMBLY WATER EXIT BABY T
FLOWMETER ASSEMBLY BARISTA T D.8
FILL SOLENOID BARISTA T ASEMBLY FLEX TUBE
ADJUSTABLE SOLENOID VALVE MIXER ASSEMBLY BARISTA T PLUS
EXPANSION VALVE ASSY. BARISTA T
NON-RETURN VALVE ASSEMBLY BDT/BT
CONJUNTO REPARTIDOR AGUA BT PLUS

COFFEE SAFETY SWITCHES (EE-18 V4 1/5)

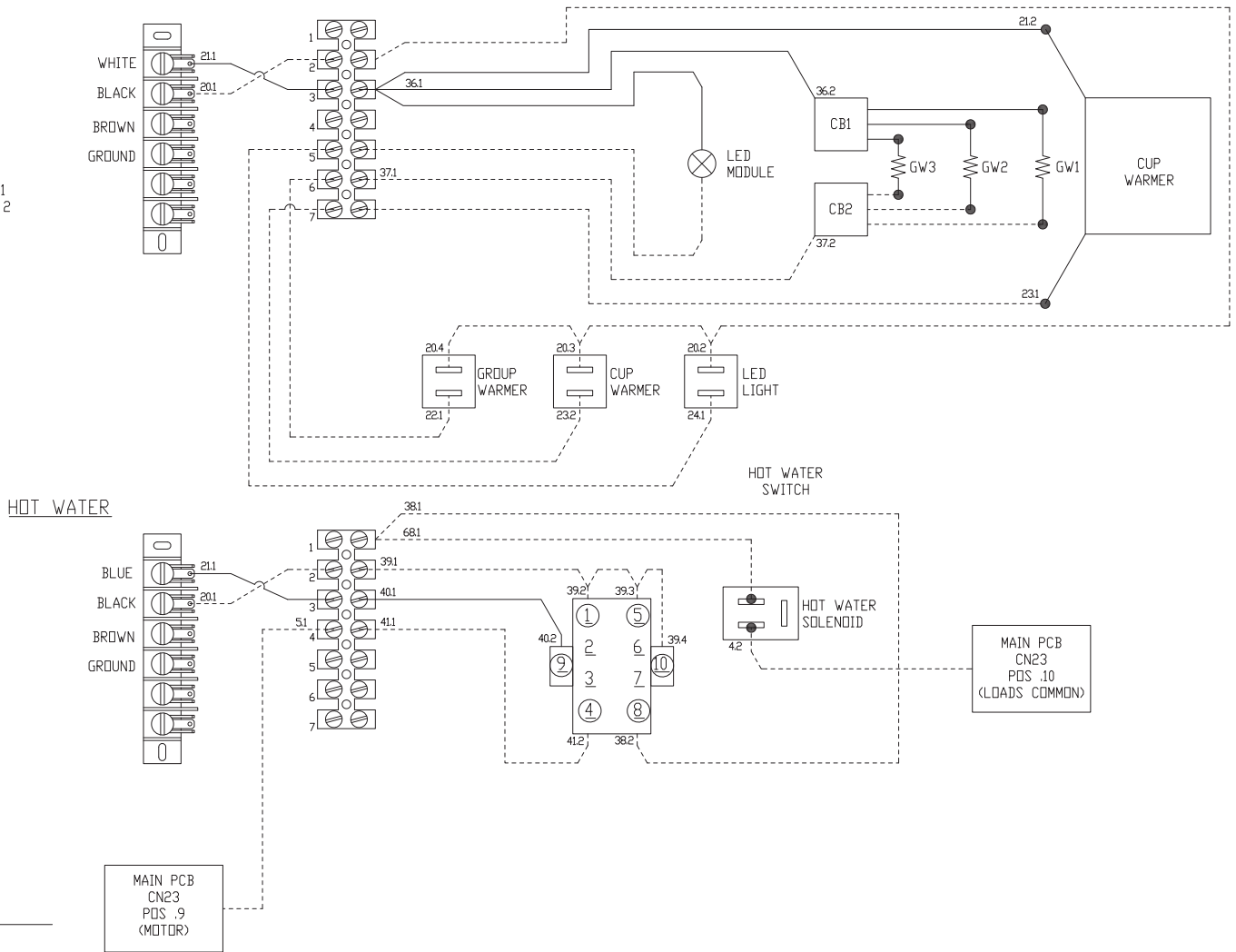


WHITE (16 AWG/14 AWG) ———
 BLACK (16 AWG) - - - - -

Esquema eléctrico Barista T Plus / One ETL (2) ■ Barista T Plus / One ETL electrical schema (2)

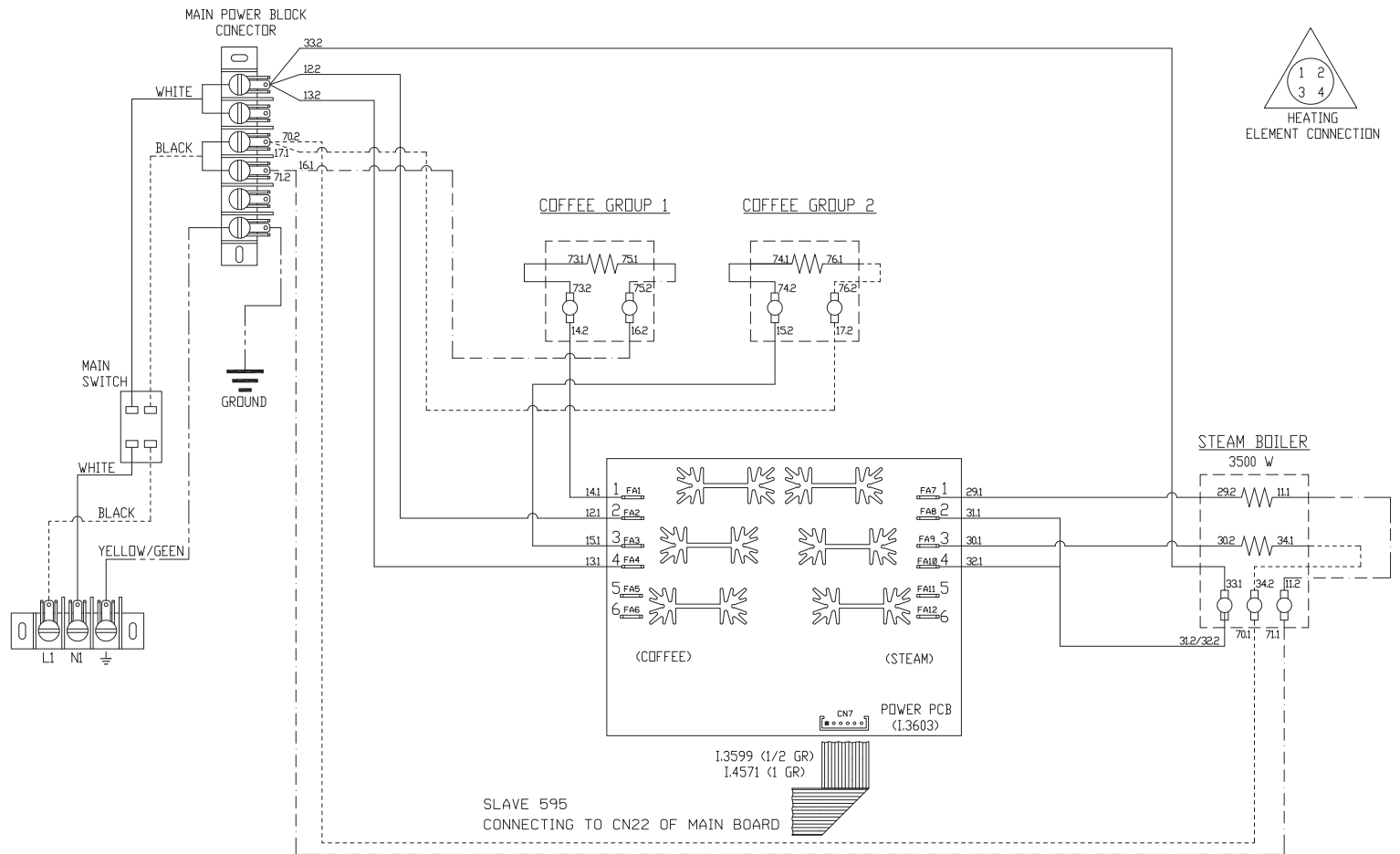
ACCESORIES (EE-18 V4 2/5)

CB1= CONECTOR BLOCK 1
 CB2= CONECTOR BLOCK 2
 GW1= GROUP WARMER 1
 GW2= GROUP WARMER 2
 GW3= GROUP WARMER 3



WHITE (16 AWG/14 AWG) ———
 BLACK (16 AWG) - - - - -

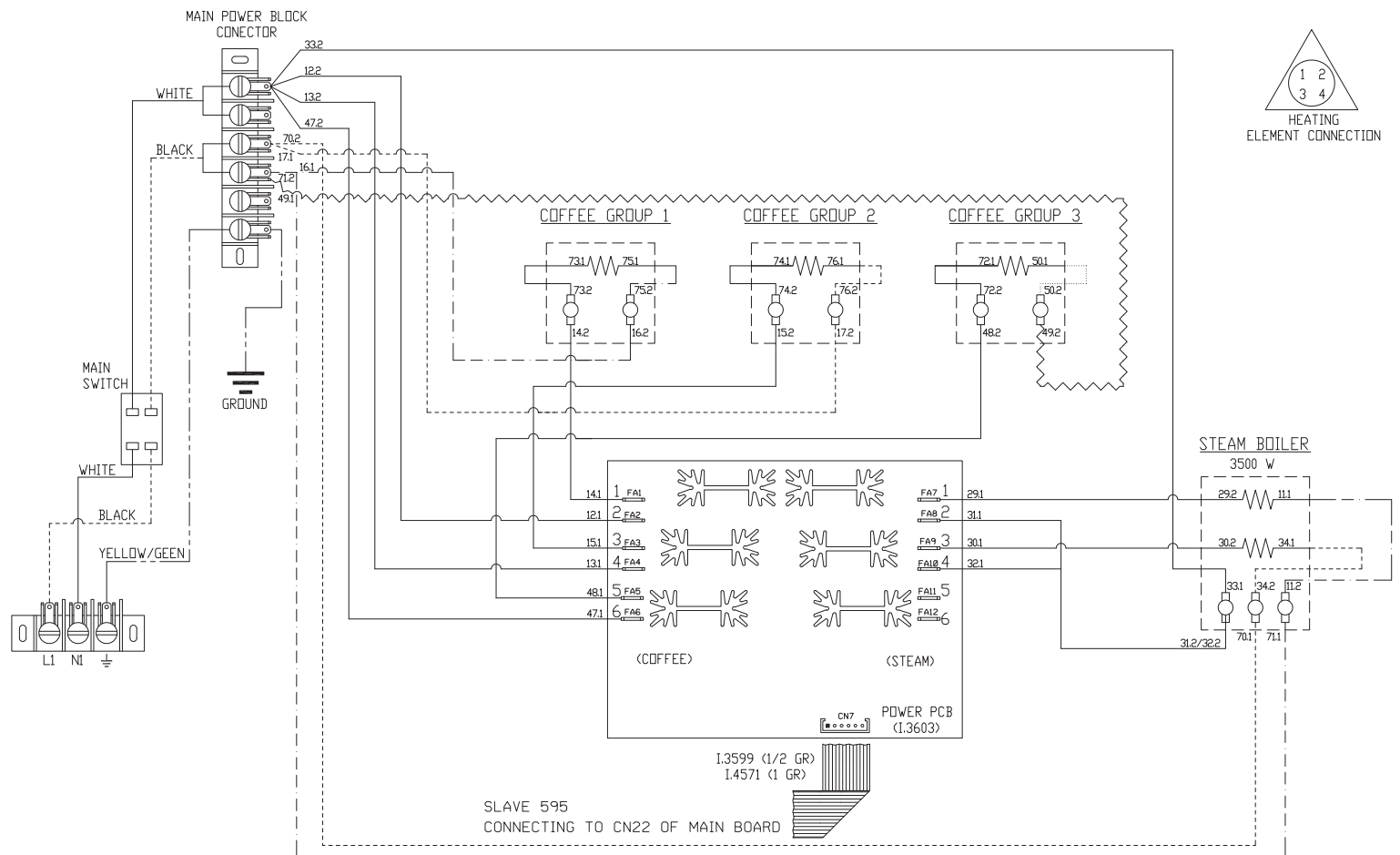
2GR COFFEE SYSTEM + POWER STEAM (EE-18 V4 3/5)



- WHITE (16 AWG/14 AWG) ———
- BLACK (16 AWG) - - - - -
- BROWN (16 AWG) - - - - -
- YELLOW/GREEN (10 AWG) - - - - -

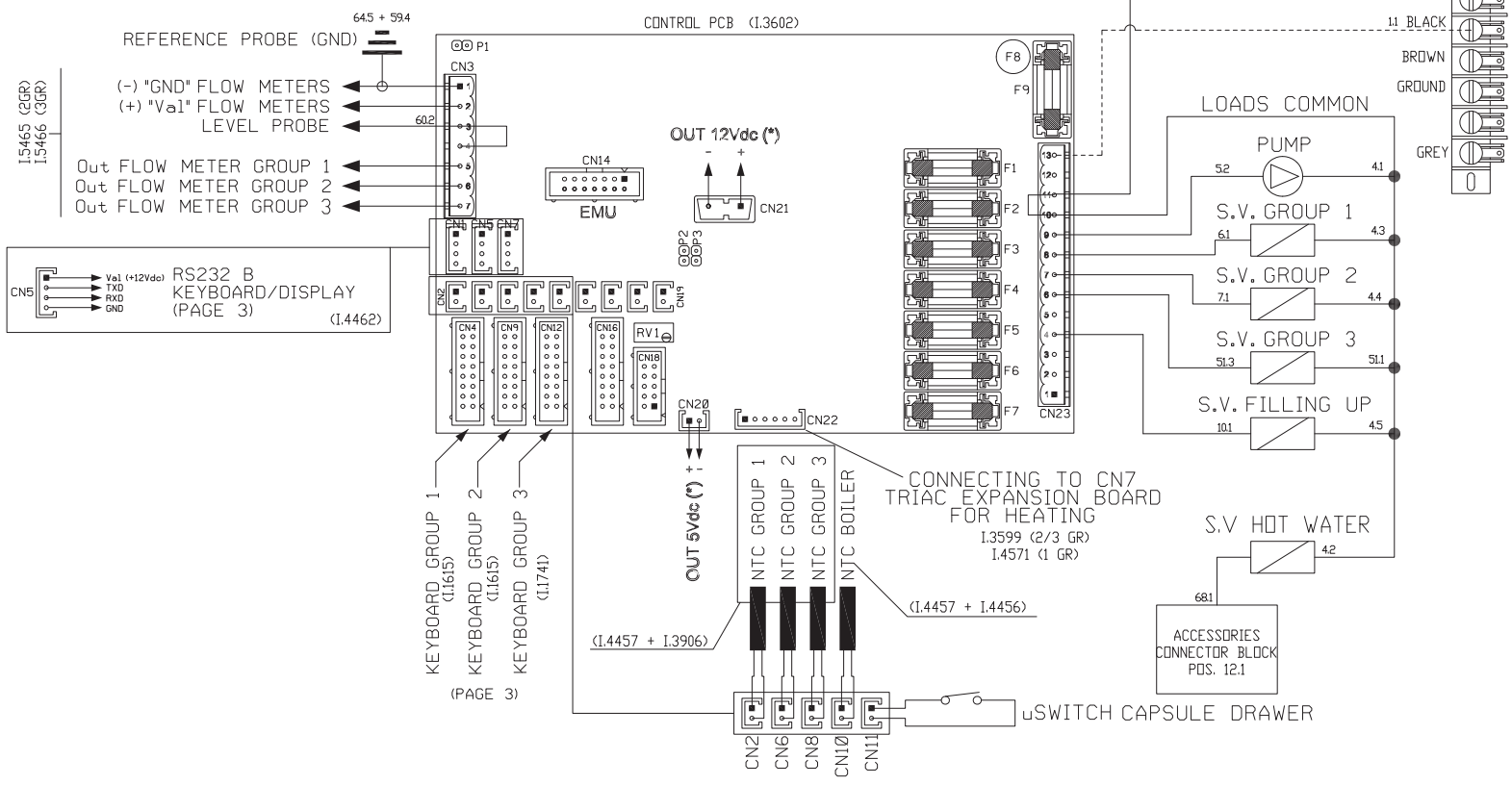
Esquema eléctrico Barista T Plus / One ETL (4) ■ Barista T Plus / One ETL electrical schema (4)

3GR COFFEE SYSTEM + POWER STEAM (EE-18 V4 4/5)



- WHITE (16 AWG/14 AWG) ———
- BLACK (16 AWG) - - - - -
- BROWN (16 AWG) - - - - -
- GREY (16 AWG) ~~~~~
- YELLOW/GREEN (10 AWG) - - - - -

(EE-18 V4 5/5)



DETALLE VOLUMETRICOS / FLOWMETER DETAIL

WHITE (16 AWG/14 AWG) ———
 BLACK (16 AWG) - - - - -

